



0.635 mm (.025") Pitch 68 Way PCMCIA

91553

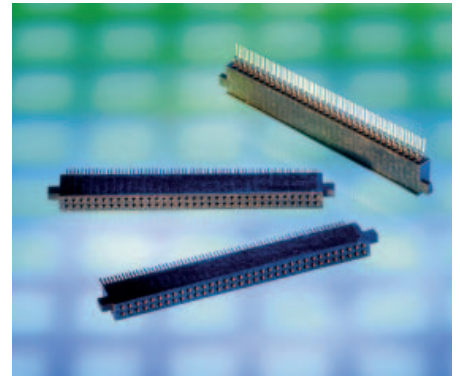
Receptacle

68 Way PCMCIA Header with 0.10 mm Coplanarity

The 91553 is an SMT 68 way header designed to the Personal Computer Memory Card International Association (PCMCIA) specification. This part is one of the few parts on the market to meet the challenging requirements of an automated SMT process. It achieves this primarily through superior coplanarity performance. The major applications include satellite decoders and laptop computers.

Features and Benefits

- This product meets all PCMCIA standards
- Coplanarity specification is 0.10 mm as per SMT standard
- Hold down feature available for use during the SMT process
- Parts are available on tape & reel packaging so are pick and place compatible
- Durability of a minimum of 10,000 cycles



REGIONAL MARKETS, APPLICATIONS AND TYPICAL CUSTOMERS

- Secure data modules for satellite decoders
- Laptop computers
- Handheld devices
- Set top boxes



SPECIFICATIONS



0.635 mm (.025") Pitch68 Way PCMCIA

91553

Receptacle

Reference Information

Product Specification: PS-99050-001
 Packaging: Tape & reel
 Mates with: Relevant PCMCIA parts
 Designed in: Millimeters

Electrical

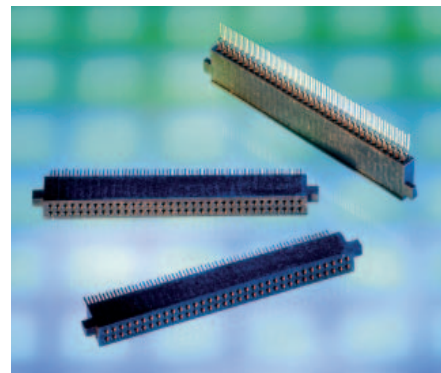
Voltage: 100 V AC
 Current: 0.5 Amp
 Contact Resistance: 40 milliohms
 Dielectric Withstanding Voltage: >500 Vrms AC
 Insulation Resistance: 1000 Megohms min.

Mechanical

Durability: 10,000 cycles

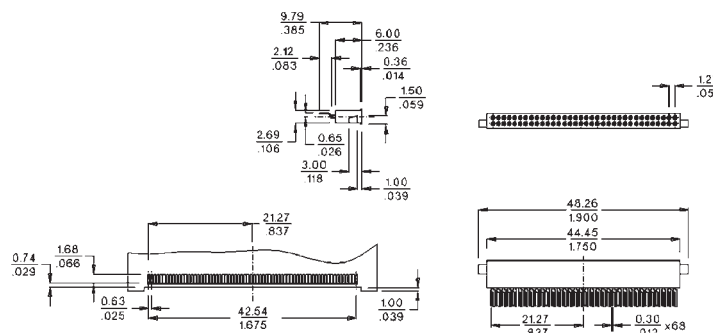
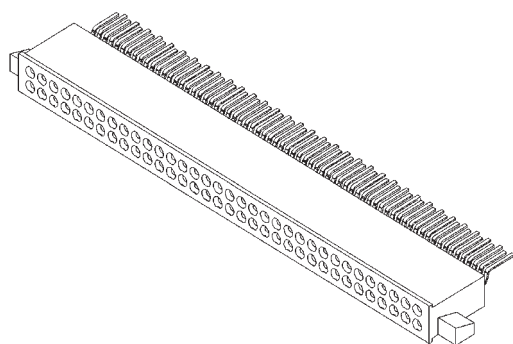
Physical

Housing: Glass-filled LCP, UL94V-0
 Contact: Phosphor Bronze
 Plating:
 Contact Area – 0.2 µm Gold Flash
 Solder Tail Area – 3–5 µm Tin Lead
 Underplating – 0.76 µm Palladium Nickel
 Operating Temperature: –20 °C to +70 °C



ORDERING INFORMATION AND DIMENSIONS

Circuits	Order No.		Dimension			
	No PCB arms	With PCB arms	A	B	C	D
68	91553-0001	91553-0002	48.26 (1.9)	44.4 (1.75)	2.69 (0.106)	9.79 (0.385)



Americas Headquarters
 Lisle, Illinois 60532 U.S.A.
 1-800-78MOLEX
 amerinfo@molex.com

Far East North Headquarters
 Yamato, Kanagawa, Japan
 81-462-65-2324
 feninfo@molex.com

Far East South Headquarters
 Jurong, Singapore
 65-6-268-6868
 fesinfo@molex.com

European Headquarters
 Munich, Germany
 49-89-413092-0
 eurinfo@molex.com

Corporate Headquarters
 2222 Wellington Ct.
 Lisle, IL 60532 U.S.A.
 630-969-4550
 Fax: 630-969-1352