

Emergency Stop Devices

Cable (Rope) Pull Switches

Lifeline 4



Description

The Lifeline 4 cable/push button operated system can be installed along or around awkward machinery such as conveyors and provide a constant emergency stop access.

The Lifeline 4 is the only device of its kind to incorporate the following features in one unit making it the most versatile cable switch on the market.

1. The positive mode mechanism ensures that the contacts are immediately latched open on actuation and can only be reset by the intentional action of turning the blue reset knob. The design also protects against nuisance tripping and the effects of thermal expansion.
2. A mushroom head emergency stop button is included on the unit to provide E-Stop access even at the extreme ends of the span.
3. The cable status indicator makes the system easy to set up and maintain for spans up to 125 meters.
4. Four sets of contacts are provided: 2 N.C. + 2 N.O., 3 N.C. + 1 N.O., or 4 N.C. contacts.
5. Sealed to IP 66 with rugged construction using die cast alloy and stainless steel to withstand harsh conditions.

Features

- Switches up to 125 meter span
- Universal mounting and operation
- Lid mounted emergency stop button, designed to conform to EN418
- Switch lockout on cable pulled and cable slack
- Cable status indicator on switch lid

Lid mounted E-Stop button

A mushroom head emergency stop button is included on the unit to provide total E-Stop access even at the extreme ends of the span.



Cable status indicator on lid

The cable status indicator makes the system easy to set up and maintain for spans up to 125 meters.




Specifications

Standards	EN60947-5-5, ISO13850, ISOTR 12100, IEC 60947-5-1, EN 418
Approvals	CE marked for all applicable directive, cULus and BG
Safety Contact	2 N.C. or 3 N.C. or 4 N.C. direct opening action
Designation/Utilization Cat.	
A600/AC-15 (Ue)	600V 500V 240V 120V
(Ie)	1.2A 1.4A 3A 6A
N600/DC-13 (Ue)	600V 500V 250V 125V
(Ie)	0.4A 0.55A 1.1A 2.2A
Thermal Current (Ith)	10A
Minimum Current	5V 5mA
Safety Contact Gap	>2 x 2mm (0.078in)
Rtd. Insulation Voltage	(Ui) 500V
Rtd. Impulse withstand Voltage	(Uimp) 2500V
Pollution Degree	3
Max. Actuation Frequency	1 Cycle per sec
Case Material	Heavy duty die cast alloy
Eye Nut Material	Stainless Steel
Emergency Stop & Indicator Material	Acetal
Protection	IP66
Conduit Entry	3 x M20, 3 x 1/2in NPT, quick-disconnect style
Operating Temperature	-25°C to 80°C (-13°F to 176°F)
Operation Force	<125N (300mm deflection; 28.1lb deflection)
Max Cable Span Between Switches	75m (246ft) standard model 75m to 125m extended length model
Fixing	4 x M5
Mounting	Any position
Mechanical Life	1,000,000
Weight	630g (1.38lb)
Colour	Yellow body, Red E-Stop button, Blue reset button

Important: It is recommended that the LRTS (Lifeline Rope Tensioning System) should be used with the Lifeline 4 cable rope switch.

Product Selection

Cable Span	Safety Contacts	Auxiliary Contacts	Catalogue Number		
			1/2in NPT Conduit	M20 Conduit	Quick Disconnect
Up to 75m	2 N.C.	2 N.O.	440E-L13133	440E-L13137	440E-L13140
	3 N.C.	1 N.O.	440E-L13043	440E-L13042	440E-L13141
	4 N.C.	—	440E-L13135	440E-L13139	440E-L13142
75 to 125m	2 N.C.	2 N.O.	440E-L13155	440E-L13153	440E-L13163
	3 N.C.	1 N.O.	440E-L13152	440E-L13150	440E-L13164
	4 N.C.	—	440E-L13149	440E-L13147	440E-L13165
	Recommended Standard Cable Connector/Cordset (2m (6.5ft) (see page 15-13).				889M-F12X9AE-2

Accessories

	Description	Catalogue Number
	P. Bolt complete M8 x 1.25 Thread Size 58mm (2.28in) Threaded Length 12mm (0.47in) Dia. Eye 95mm (3.74in) Overall Length	440E-A17003
	Tensioner spring 19mm (0.75in) Diameter 210mm (8.27in) Overall Length 50N Force	440E-A13078
	Replacement cover	440E-A13054
	Replacement cover no E-Stop	440E-A17115
	Inside corner pulley	440A-A17101
	Outside corner pulley	440A-A17102
	Mounting Bracket	440E-A17130

Emergency Stop Devices

Cable (Rope) Pull Switches

Lifeline 4

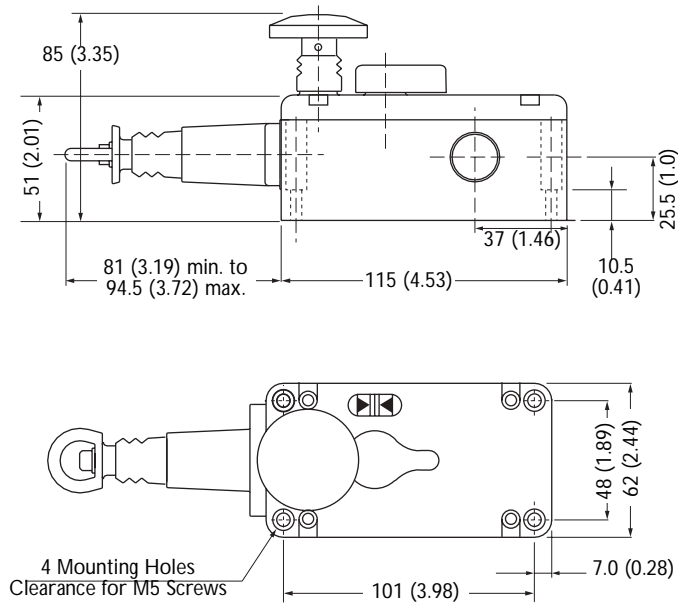
Accessories

	Description	Catalogue Number
	Indicator, M20 Conduit Pilot Light—Amber Lens T-3 1/4 Insert Use T-3 1/4 Bulb (Sold Separately)	440A-A19001
	Indicator, 1/2in NPT Conduit Pilot Light—Amber Lens T-3 1/4 Insert Use T-3 1/4 Bulb (Sold Separately)	440A-A19005
	Indicator, M20 Conduit Pilot Light—Amber Lens Bayonet Style Insert Use LED Bulb (Sold Separately)	440A-A17124
	Indicator, 1/2in NPT Conduit Pilot Light—Amber Lens Bayonet Style Insert Use LED Bulb (Sold Separately)	440A-A17122
	Indicator, M20 Conduit Pilot Light—Red Lens T-3 1/4 Insert Use T-3 1/4 Bulb (Sold Separately)	440A-A19002
	Indicator, 1/2in NPT Conduit Pilot Light—Red Lens T-3 1/4 Insert Use T-3 1/4 Bulb (Sold Separately)	440A-A19007
	Indicator, M20 Conduit Pilot Light—Red Lens Bayonet Style Insert Use LED Bulb (Sold Separately)	440A-A17125
	Indicator, 1/2in NPT Conduit Pilot Light— Red Lens Bayonet Style Insert Use LED Bulb (Sold Separately)	440A-A17123
	Bulb, 24V for Conduit Pilot Light 2.8W T-3 1/4 Bulb, Miniature Screw Base	440A-A09056
	Bulb, 110V for Conduit Pilot Light 2.6W T-3 1/4 Bulb, Miniature Screw Base	440A-A09055
	Bulb, 240V for Conduit Pilot Light 2.75W T-3 1/4 Bulb, Miniature Screw Base	440A-A09054
	Red LED Bulb, 24V AC/DC for Conduit Pilot Light Bayonet Style Insert	800E-N157R
	Amber LED Bulb, 24V AC/DC for Conduit Pilot Light Bayonet Style Insert	800E-N157A
	Red LED Bulb, 120V AC for Conduit Pilot Light Bayonet Style Insert	800E-N169R
	Amber LED Bulb, 120 AC for Conduit Pilot Light Bayonet Style Insert	800E-N169A

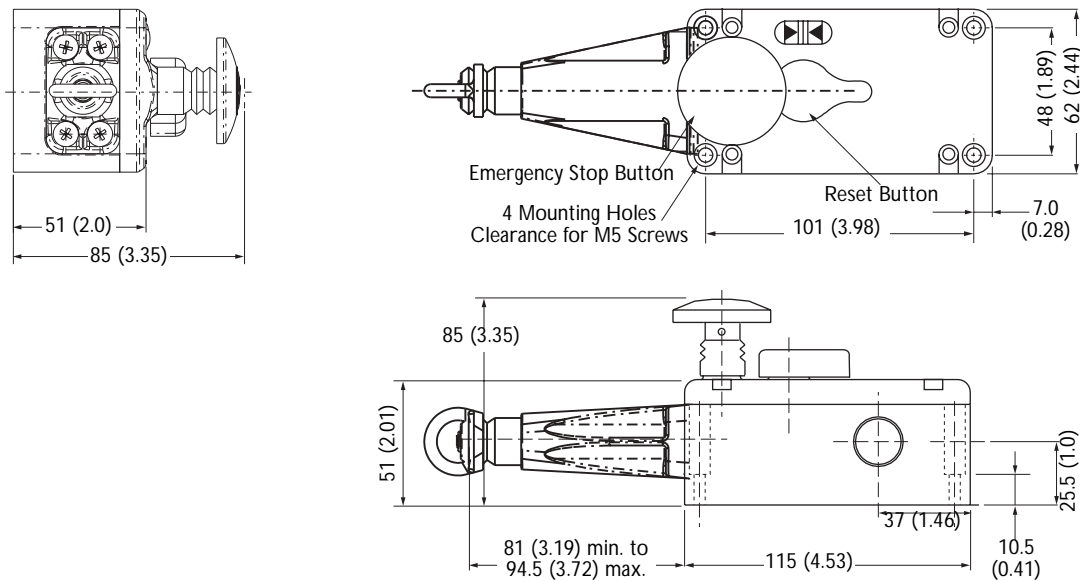
Approximate Dimensions—mm (inches)

Dimensions are not intended to be used for installation purposes.

Standard Model



Extended Length Models (75 to 125m cable span)




Emergency Stop Devices

Cable (Rope) Pull Switches

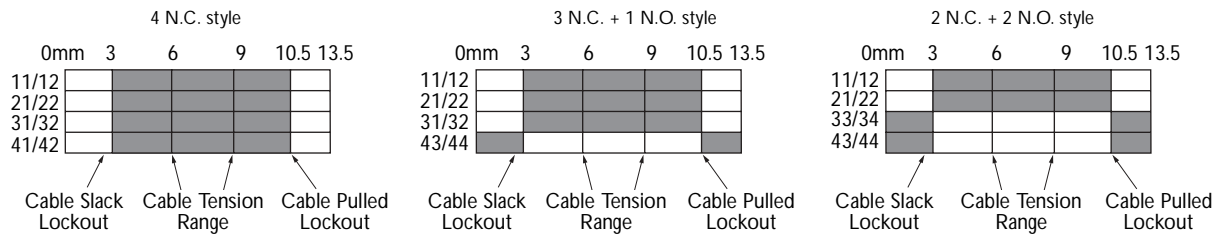
Lifeline 4

Typical Wiring Diagrams

Connector Pinout	4 N.C.		3 N.C. + 1 N.O.		2 N.C. + 2 N.O.		
	Terminal	Contact	Terminal	Contact	Terminal	Contact	
	1	11	11	11	11	N.C.	
	3	12	12	12	12	N.C.	
	4	21	21	21	21	N.C.	
	6	22	22	22	22	N.C.	
	7	31	31	31	33	N.O.	
	8	32	32	32	34	N.O.	
	9	41	43	43	43	N.O.	
	10	42	44	44	44	N.O.	
	12	Ground					

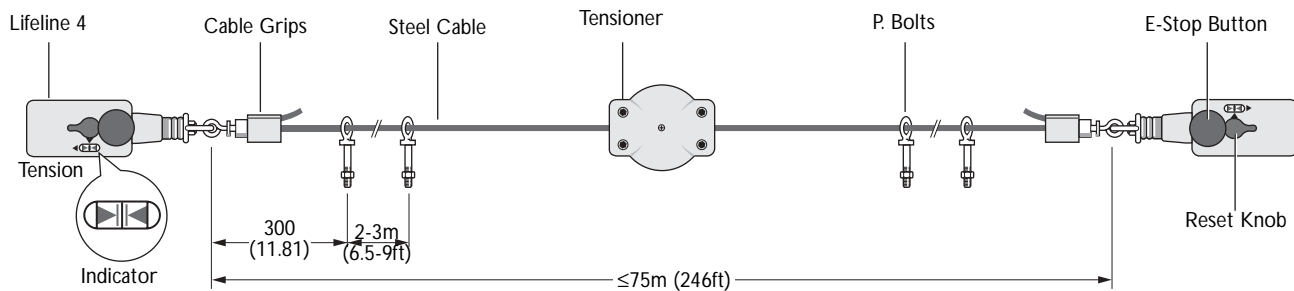
Contact Action

□ Contact Open ■ Contact Closed

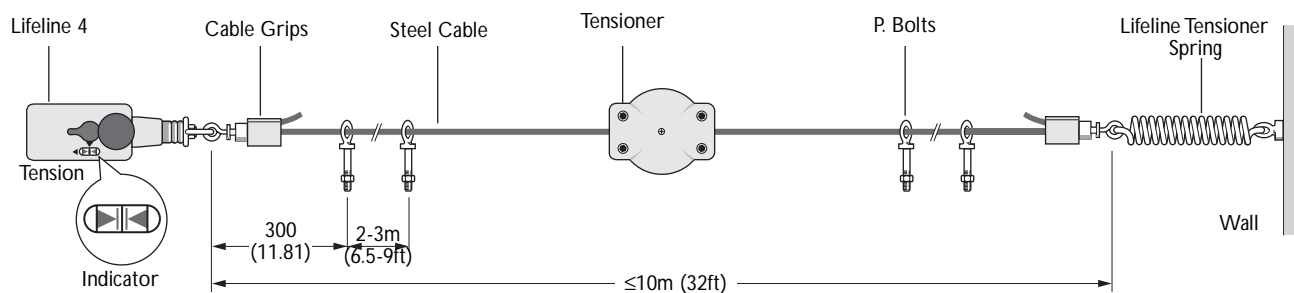


Application Detail—mm (inches)

Mounting Specifications



Mounting Specifications with Spring Tensioner



Mounting Specifications for Extended Length Models

