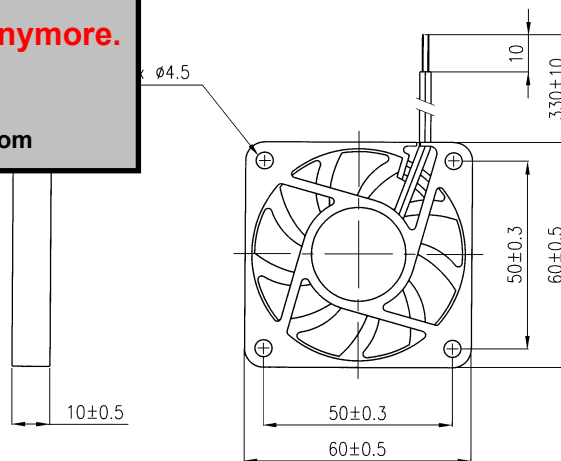


DC Axial Fans

**279D series are not available anymore.**

Please consult factory:  
Tel.: +33 (0)2 54 23 14 54  
Sales department: info@etrinet.com



Approvals



Life expectancy

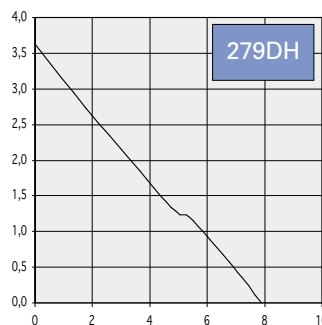
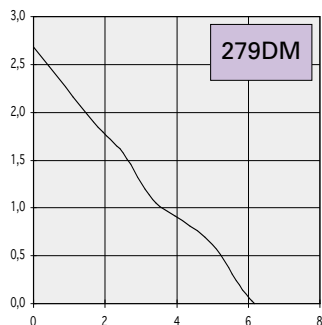
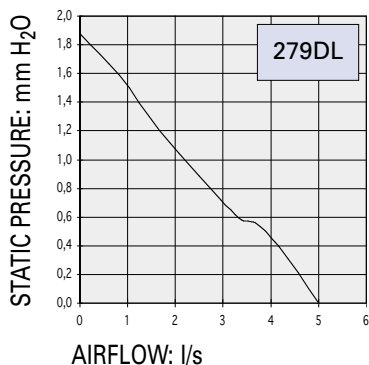
L-10 LIFE AT 40°C:  
50 000 hours

Brushless DC Motor

Electrical protection: impedance protected  
Housing material: plastic UL 94 VO  
Impeller material: plastic UL 94 VO  
Weight: 35 g

Available with:

- speed sensor
- open collector alarm



Part number	Nominal voltage	Airflow	Noise level	Nominal speed	Input power	Voltage range	Bearing system		Connection type		Operating temperature	
	V	l/s	dB(A)	RPM	W	V	Ball	Sleeve	Leads	Terminals	Min. °C	Max. °C
279DL5LP41000	5	5,0	27	3500	0,8	(4,5-5,5)	X	X	X		- 10	60
279DL1LP41000	12	5,0	27	3500	0,9	(7-13,8)	X	X	X		- 10	60
279DM5LP41000	5	6,2	31	4200	1,2	(4,5-5,5)	X	X	X		- 10	60
279DM1LP41000	12	6,2	31	4200	1,2	(7-13,8)	X	X	X		- 10	60
279DH5LP41000	5	7,8	35	5000	1,5	(4,5-5,5)	X	X	X		- 10	60
279DH1LP41000	12	7,8	35	5000	2,2	(7-13,8)	X	X	X		- 10	60

Accessories:

- Plastic finger guard P/N : PFG-60
- Metal finger guard P/N : 60-43
- Rubber mounts P/N : AM-10
- Plastic filter P/N : F60/T102
- Metal mesh filter P/N : 60-G