

# KR 2426 MHz Lowpass Filter

## General Description

KR Electronics 2426 is a 320 MHz Lowpass filter supplied in a small surface mount package. Passband frequencies from 10 MHz to 500 MHz are available. Consult factory for other passband frequencies.



## Features

- Surface Mount Package
- 50  $\Omega$  Source and Load

## Typical Performance—320 MHz Cutoff Frequency

### Passband Amplitude

(0.50 dB/div 100 KHz to 320 MHz)

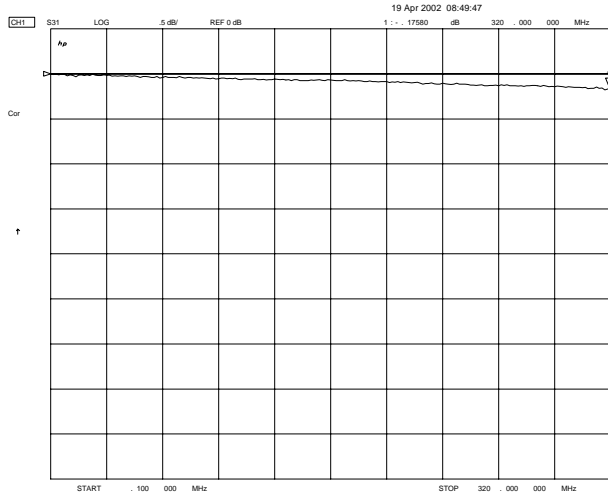


Figure 1

### Overall Response

(10 dB/div 30 KHz to 3 GHz)

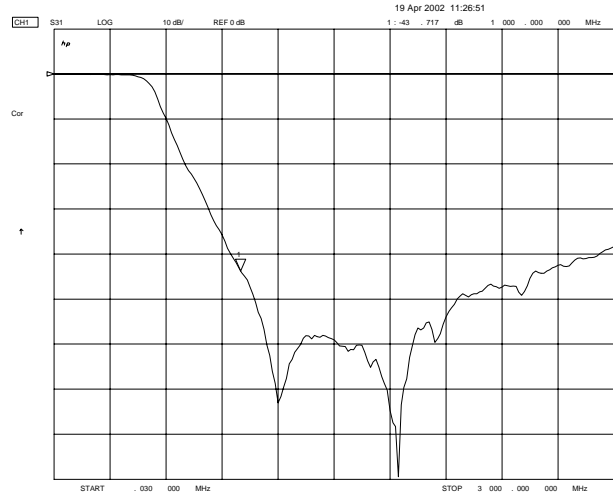


Figure 2

KR Electronics, Inc.  
91 Avenel Street  
Avenel, NJ 07001

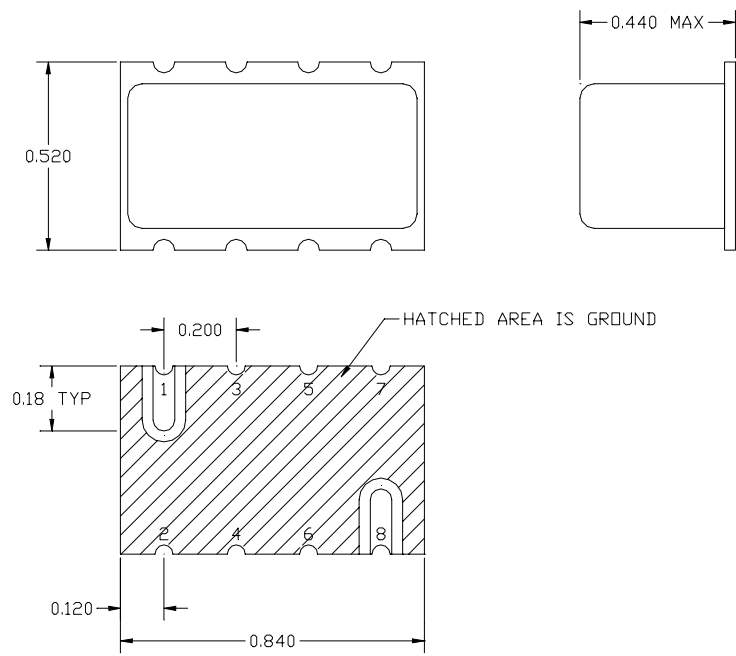
Web [www.krfilters.com](http://www.krfilters.com)  
Email [sales@krfilters.com](mailto:sales@krfilters.com)  
Phone (732) 636-1900  
Fax (732) 636-1982

# KR 2426 Lowpass

## Specifications

Parameter	Specification	
Filter type	Lowpass	
End of Passband (< 0.5 dB)	320 MHz	Other frequencies available
Source & Load	50 Ω	
Attenuation at 1 GHz	> 35 dB	

## Physical Dimensions



- NOTES:  
 1. INPUT IS 1  
 2. OUTPUT IS 8  
 3. ALL OTHERS ARE GROUND

KR Electronics, Inc.  
 91 Avenel Street  
 Avenel, NJ 07001

Web [www.krfilters.com](http://www.krfilters.com)  
 Email [sales@krfilters.com](mailto:sales@krfilters.com)  
 Phone (732) 636-1900  
 Fax (732) 636-1982