

10/100BASE-T SINGLE PORT TRANSFORMER MODULES

P/N: 16ST1038 DATA SHEET

Feature

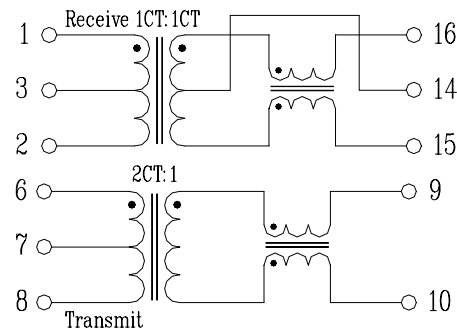


- Patented interlock Base design.
- Meets all IEEE802.3 and ANSI X3.263 standards including 350uH OCL with 8mA Bias.
- Various pinout options available for optimal board layout.
- IC grade transfer-molded package withstands 235• IR Reflow.
- Operating temperature range:0°C to +70°C.
- Storage temperature range:-25°C to +125°C.

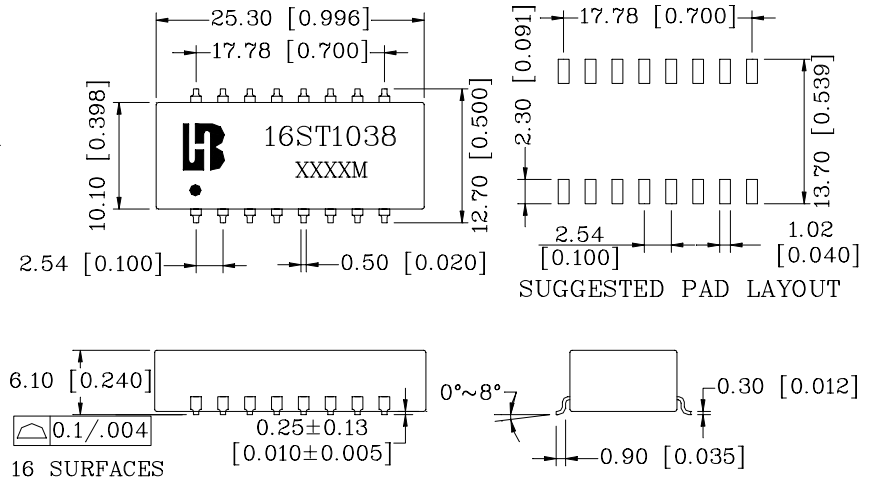
Electrical Specifications @ 25°C								
Part Number	Turns Ratio (±5%)		OCL(uH Min) @100KHz/0.1Vrms with 8mA/DC Bias	L.L (uH Max)		CW/W (pF Max)	Rise Time 10%-90% (nS TYP)	HI-POT (Vrms)
	RX	TX		RX	TX			
16ST1038	1CT:1CT	2CT:1	350	0.6	1.3	28	3.5	1500

Continue											
Part Number	Insertion Loss (dB Max)	Return Loss (dB Min)					Cross talk (dB Min)		DCMR TX/RX(dB Min)		
		0.3-100 MHz	30MHz	40MHz	50MHz	60MHz	80MHz	0.3-60MHz	60-100MHz	30MHz	60MHz
16ST1038	-1.15	-16	-14	-13.5	-13	-12	-45	-35	-40	-30	-25

Schematic



Mechanical



Units: mm[Inches] Tolerances: xx.x0±0.25[0.010]

0.xx±0.05[0.002]