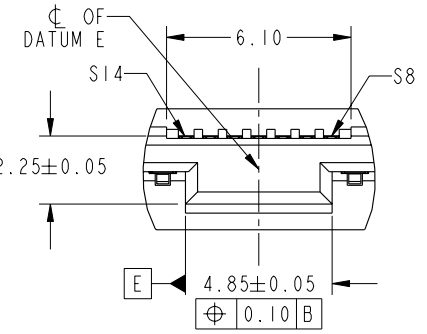
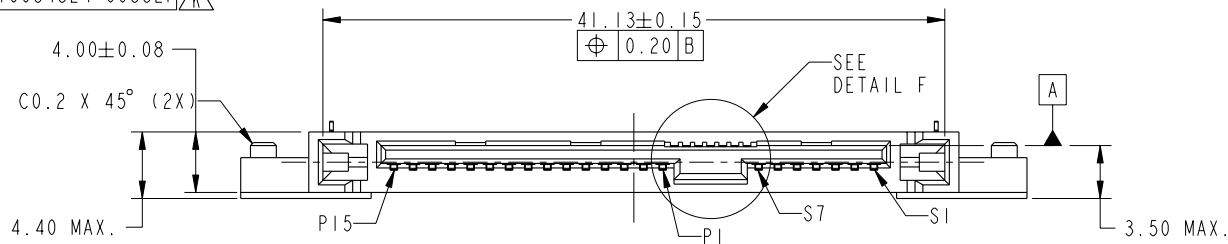
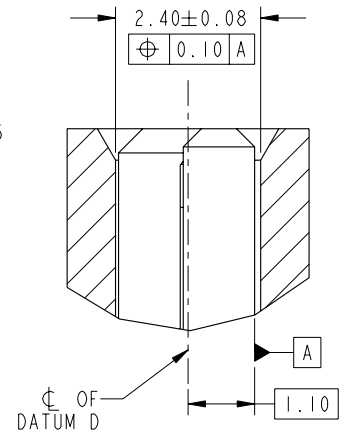
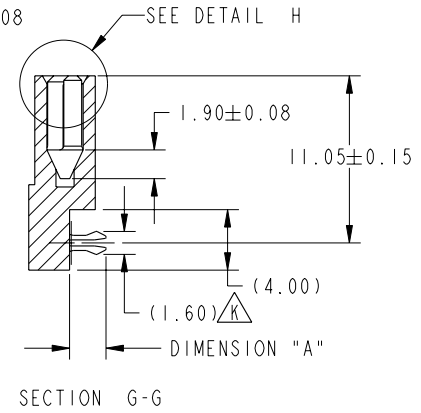
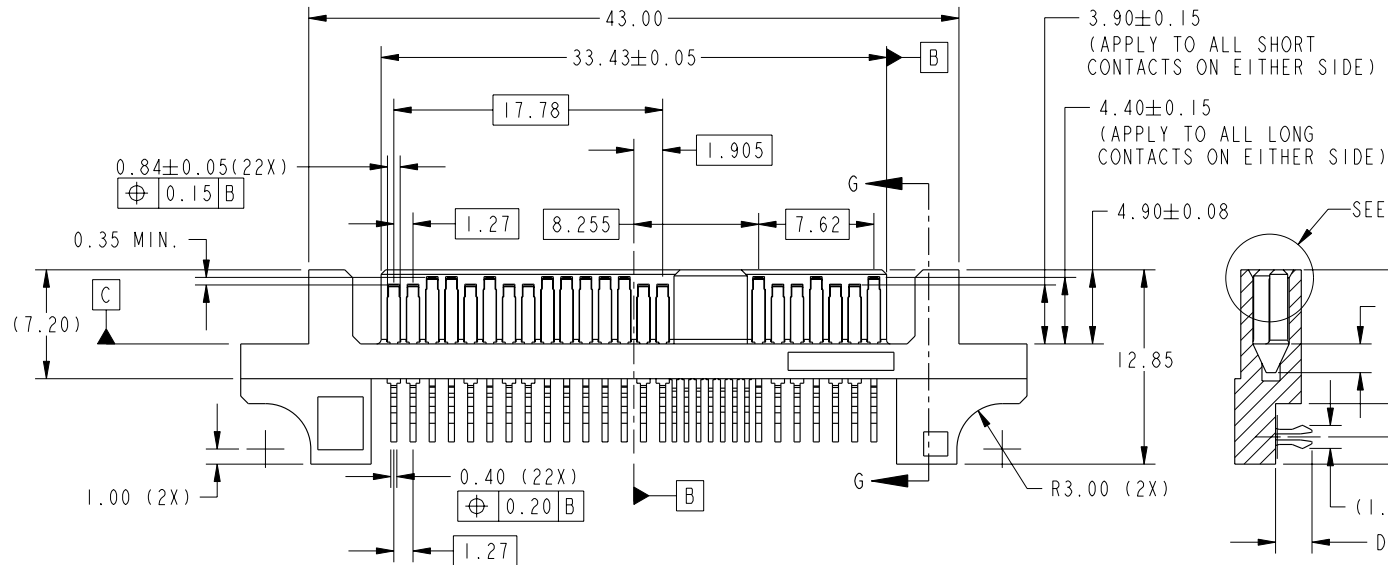


PRODUCT NO.  
 10034524-001LF  
 10034524-002LF  
 10034524-003CLF

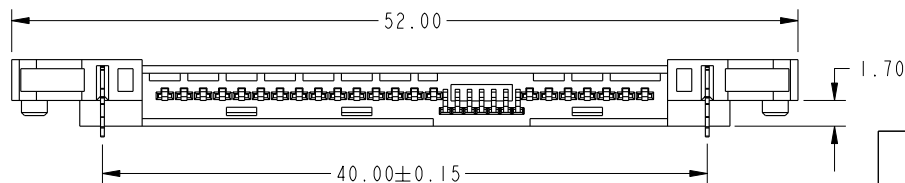
A



B



C



D

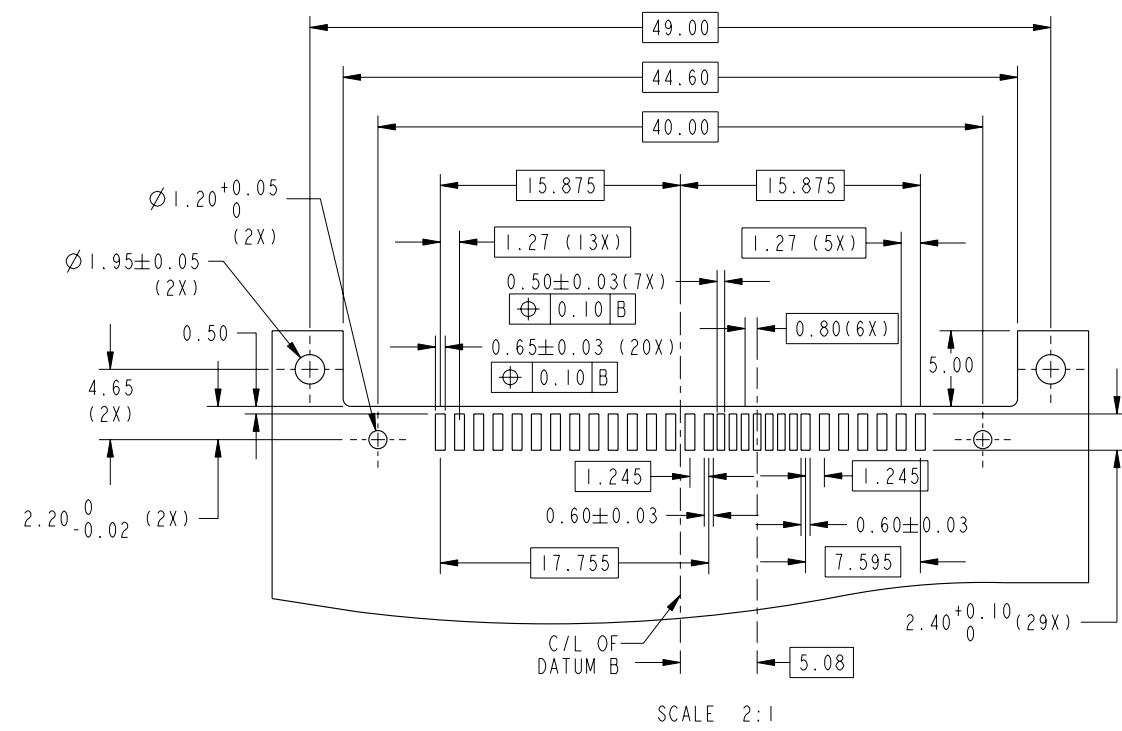
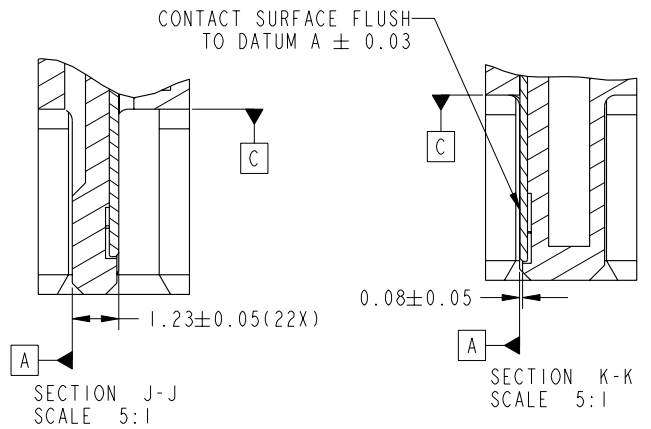
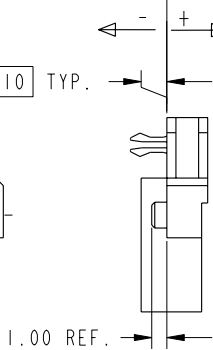
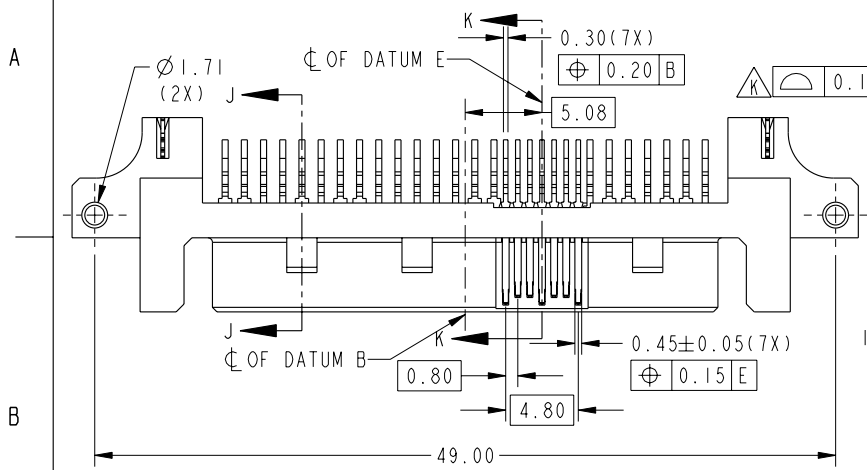
rev	ecn no	dr	date
H	S08-0294	HKL	2008-09-10
J	S09-0024	HKL	2009-01-22
K	S10-0054	HKL	2010-03-16
E	S06-0100	HKL	2006-05-05
F	S07-0353	HKL	2007-10-10
G	S08-0221	HKL	2008-07-07

www.fciconnect.com		surface <input checked="" type="checkbox"/> tolerance std ASME Y14.5	projection <input checked="" type="checkbox"/> MM
		TOLERANCES UNLESS OTHERWISE SPECIFIED	
Dr	SH TAN	2004-08-19	size A4 Scale 2:1
Eng	HK LIM	2010-03-16	ANGULAR LINEAR ±0.20
Chr	HK LIM	2010-03-16	0° ±2°
Appr	JOEY NG	2010-03-16	Product family Spec ref
FCI		title SAS PLUG R/A TYPE ASSY	dwg no 10034524 Rev. K
		catalog no	CUSTOMER sheet 1 of 3



Copyright FCI.

PRODUCT NO.	PCB THICKNESS	DIMENSION "A"	WITH ADHESIVE TAPE	PACKAGING
10034524-001LF	1.60	2.40±0.15	NO	TRAY
10034524-002LF	1.20	2.00±0.15		
10034524-003CLF	1.60	2.40±0.15	YES	TAPE & REEL

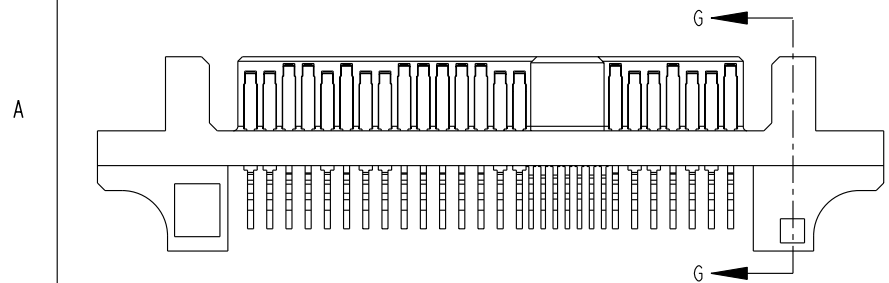


RECOMMENDED PAD LAYOUT

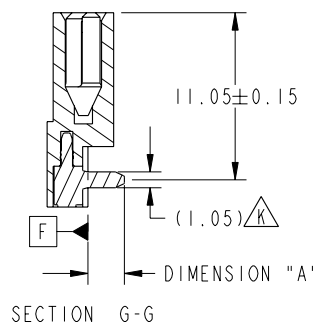
- NOTES:
- MATERIAL:  
HOUSING: HIGH TEMPERATURE PLASTIC, BLACK, UL94V-0  
CONTACT & HOLD DOWN: COPPER ALLOY  
TAPE: HIGH TEMPERATURE RESISTANT TAPE
  - FINISH:  
CONTACT: 1.27um Min. NICKEL UNDERPLATE OVERALL,  
1.91um Min. 100% MATTE TIN(LEAD-FREE) ON SOLDER TAIL,  
0.76um Min. GOLD ON CONTACT AREA  
HOLD DOWN: 1.91um Min. 100% MATTE TIN(LEAD-FREE) OVER  
1.27um Min. NICKEL UNDERPLATE OVERALL
  - RECOMMENDED PCB THICKNESS: 1.20 & 1.60mm
  - THIS PRODUCT MEETS EUROPEAN UNION DIRECTIVES AND OTHER COUNTRY REGULATIONS AS DESCRIBED IN GS-22-008
  - THE HOUSING WILL WITHSTAND EXPOSURE TO 260°C PEAK TEMPERATURE FOR 10 SECONDS IN A CONVECTION, INFRA-RED OR VAPOR PHASE REFLOW OVEN
  - A SYMBOL  $\triangleleft$  WILL BE NEXT TO ANY DIMENSION, VIEW OR NOTE WHICH HAS BEEN MODIFIED WITH THE CURRENT DRAWING REVISION

FCI	TITLE	SAS PLUG R/A	dwg no	10034524	Rev.	K
		TYPE ASSY				
	CATALOG NO		CUSTOMER		sheet 2 of 3	

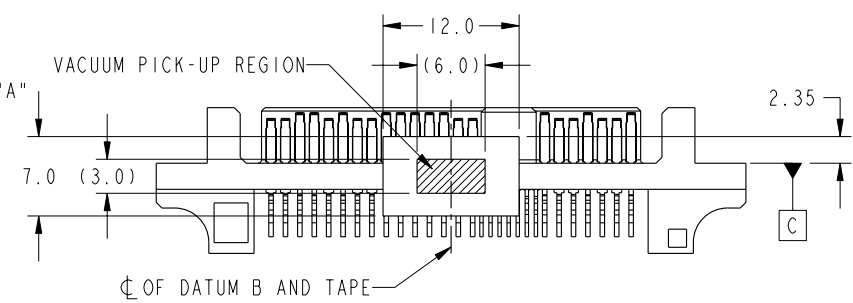
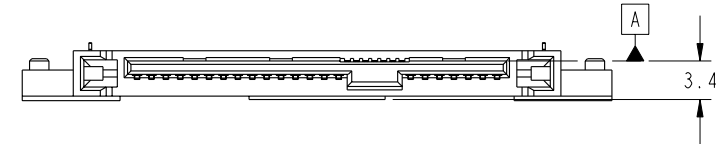
PRODUCT NO.  
10034524-003CLF  $\triangleleft$ K



SCALE 2:1

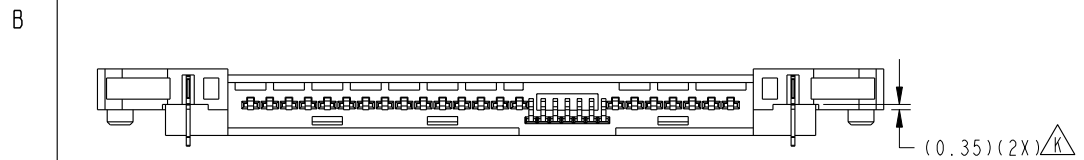


SECTION G-G

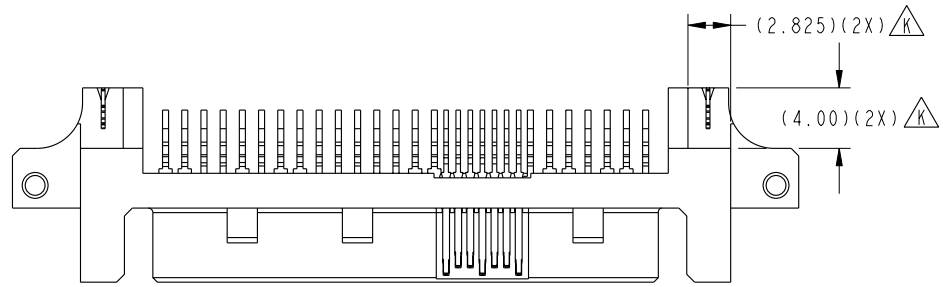


SCALE 3:2

WITH ADHESIVE TAPE ATTACHED  $\triangleleft$ K

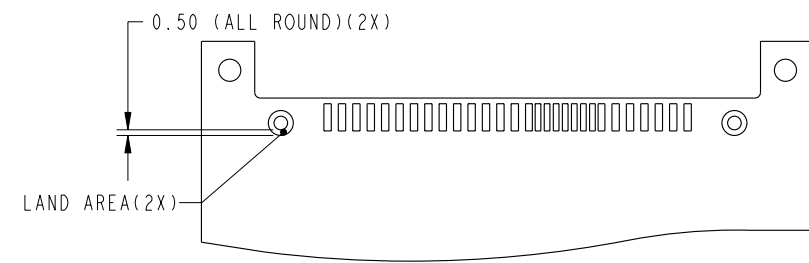


(0.35)(2X)  $\triangleleft$ K



(2.825)(2X)  $\triangleleft$ K

(4.00)(2X)  $\triangleleft$ K



SCALE 3:2

RECOMMENDED PAD LAYOUT FOR 10034524-003  $\triangleleft$ K  
(FOR MORE DIMENSIONS, REFER TO PAD LAYOUT FOR 10034524-001/-002)



Copyright FCI.

	title SAS PLUG R/A TYPE ASSY	dwg no 10034524	Rev. K
	catalog no	CUSTOMER	sheet 3 of 3