

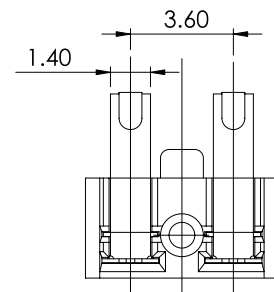
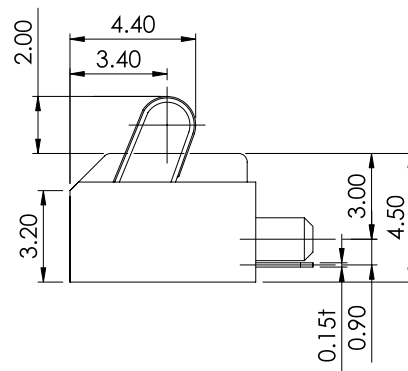
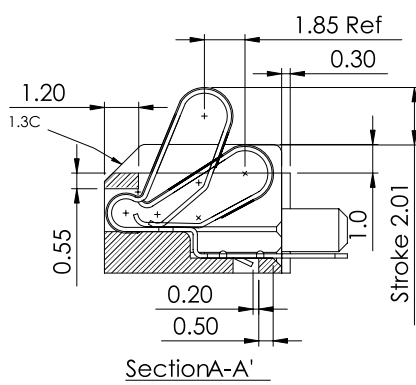
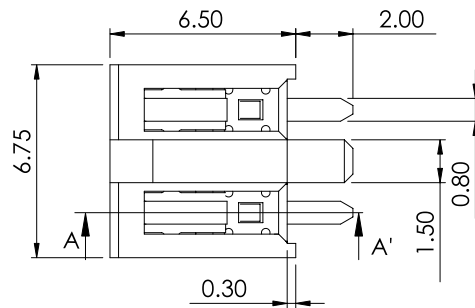
3.60mm PITCH 2 PIN BATTERY CONNECTOR SPRING DIP TYPE



060121MR Series

Specifications:

- **Insulator Material** : Black Thermo Plastic UL94V-O
- **Operating Type Range** : -40°C TO +105°C
- **Terminal Material** : Pho. Bronze
- **Platings** : Contact Gold Plated
- **Max. Current Rating** : 2A
- **Max. Voltage Rating** : 12V AC
- **Dielectric Strength** : 500V AC For 60 Seconds

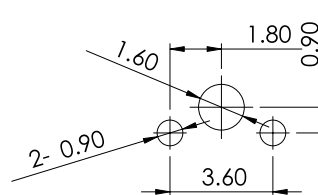


Order Information

060121MR002□□00ZU
1 2 3 4 5

1. 'R' : Right Angle DIP Type
 2. No. of pins.
 3. Plating
 4. Color 'Z' : Black
 5. Package
'L' : Reel Package Without Cap
- Reference Page 11

Recommended P.C.B Layout



Mobile

BATTERY