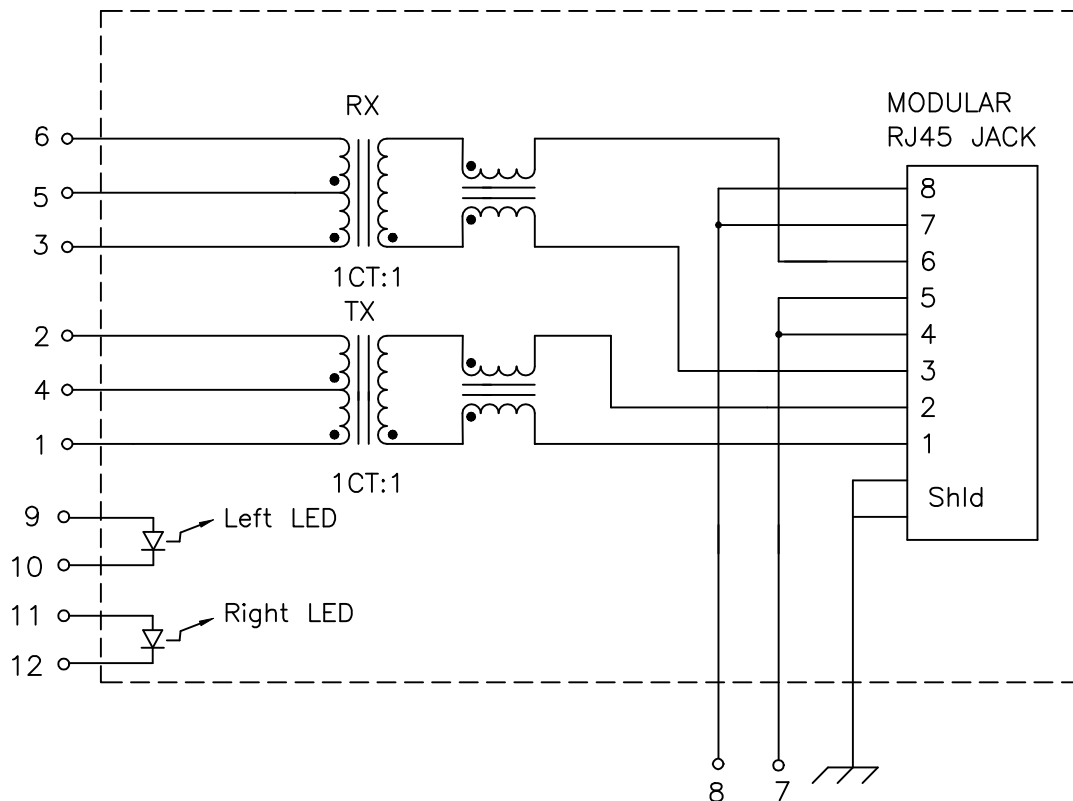


Schematic:



Electrical Specifications: @25°C

UTP Impedance: 100 OHMS

Turns Ratio: TX : 1CT:1 ($\pm 2\%$) RX : 1CT:1 ($\pm 2\%$)

Isolation Voltage: 1500 VAC (Input to Output)

UTP Side OCL: 350uH Minimum @100KHz, 100mV 8mADC

Insertion Loss (0.1MHz-100MHz): -1.0dB Maximum

Return Loss: 1MHz-30MHz 40MHz 50MHz 60MHz-80MHz
 -18dB Min -16dB Min -14dB Min -12dB Min

CMRR: 30MHz 60MHz 100MHz
 -35dB Min -30dB Min -25dB Min

Crosstalk: 30MHz 60MHz 100MHz
 -50dB Min -40dB Min -35dB Min

Complete the Combo P/N as follows:

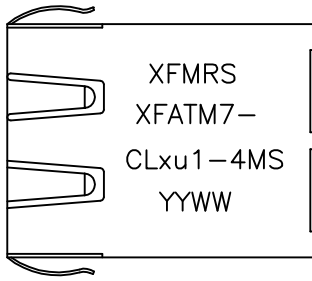
Replace 'x' & 'u' in the part number with one of the four LED color letters:

'x' = Left LED Color Y=Yellow
 'u' = Right LED Color G=Green
 A=Amber
 R=Red

DOC. REV: A/1

XFMRs Inc.	Title: SINGLE PORT COMBO		
	UNLESS OTHERWISE SPECIFIED		P/N: XFATM7-CLxu1-4MS
TOLERANCES: .xxx ± 0.010		DWN.	REV. A
Dimensions in Inch		CHK.	廖玉坤 Jan-16-02
SHEET 1 OF 2		APP.	李清儿 Jan-16-02
			BW Jan-16-02

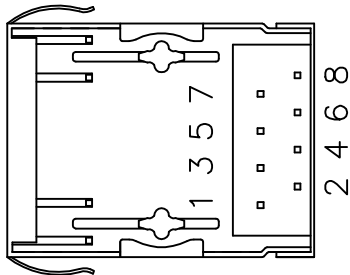
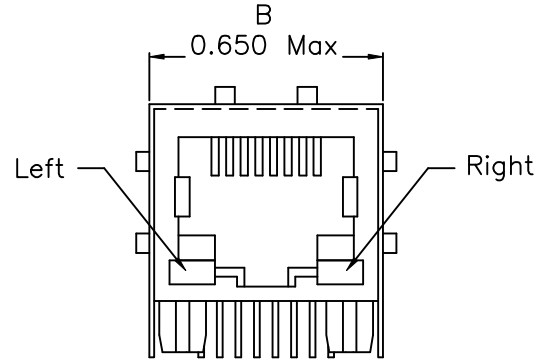
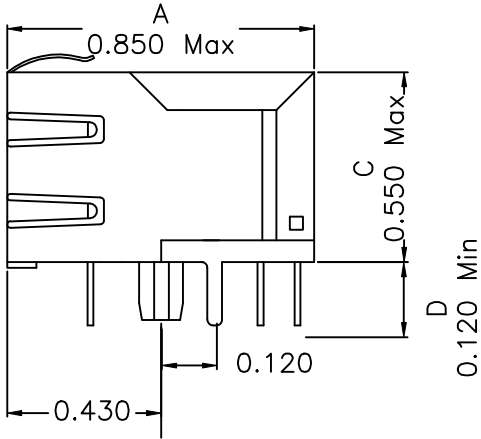
Mechanical Dimensions:



Complete the Combo P/N as follows:

Replace 'x' & 'u' in the part number with one of the four LED color letters:

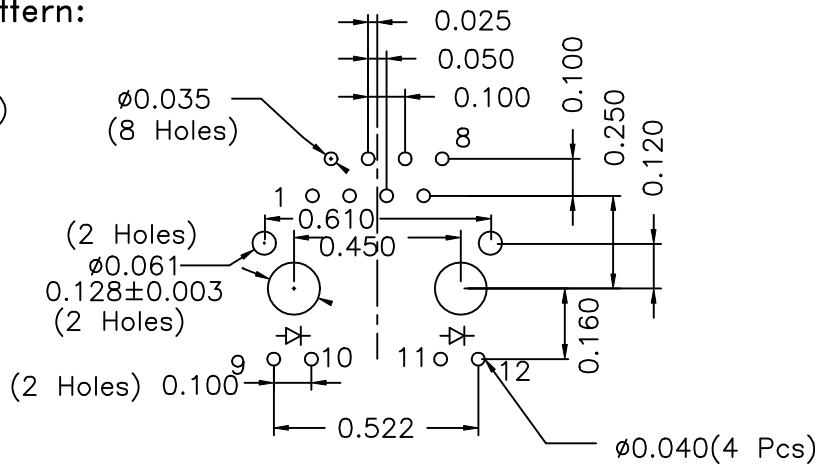
'x' = Left LED Color Y=Yellow
'u' = Right LED Color G=Green
 A=Amber
 R=Red



(BOTTOM VIEW)

Mounting Pattern:

(COMP SIDE)



XFMRS Inc.		Title: Mechanical Dimensions For CLxu1-4MS Series	
UNLESS OTHERWISE SPECIFIED TOLERANCES: .xxx ±0.010 Dimensions in Inch	P/N: XFATM7-CLxu1-4MS	REV. A	
	DWN.	李小锋	Jan-16-02
	CHK.	廖玉坤	Jan-16-02
SHEET 2 OF 2	APP.	BW	Jan-16-02

DOC. REV: A/1