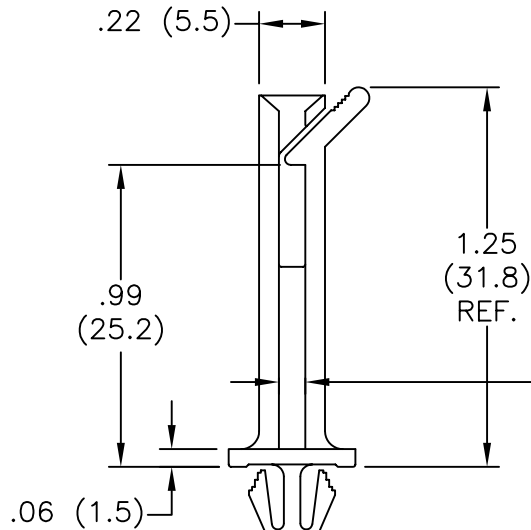
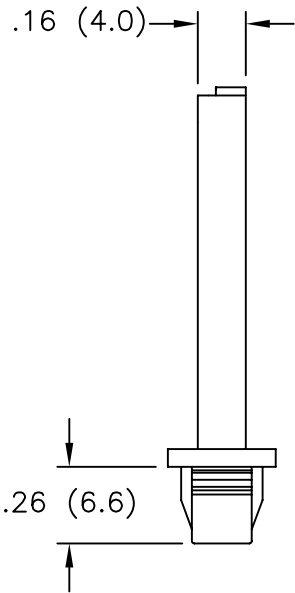
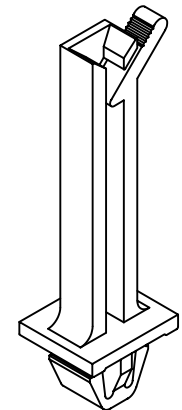
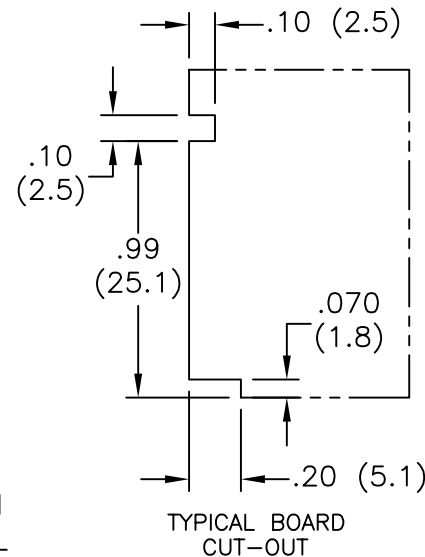


MOUNTING HOLE DIMENSIONS  $\pm 0.003$  ( $\pm 0.08$ )



ACCOMODATES  
A 1/16 (1.6)  
NOMINAL THICK  
BOARD

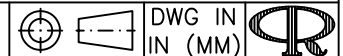
TO FIT IN A .047 TO .071  
(1.2 TO 1.8) THICK PANEL



NOTES:

1. MAT'L: NYLON 66 (RMS-01), NAT.
2. FLAME RETARDANT NYLON (RMS-19), AVAILABLE BY SPECIAL ORDER

TITLE: VERTICAL MOUNT CARD GUIDE-LATCHED (UK)



TOLERANCES UNLESS NOTED .XX= $\pm 0.10$ .XXX= $\pm 0.005$ FRAC= $\pm 1/64$ ANG= $\pm 1^\circ$		FILE # VMCGLE	DWN: P.B.	APP:	DWG IN IN (MM)	FINAL	PART # VMCGLE-31M-01	PRINT TYPE CA
MAT'L: SEE NOTES		RE: RICHCO, INC.	DT: 04-06-94	DT:	RICHCO INC. PO BOX 804238, CHICAGO, 60680 (773) 539-4060			
C	DIM .279 WAS .276, CHANGED FILE NO.	SM 11.29.01						
B	TYPICAL BOARD CUT-OUT ADDED	PB 110394						
A	P/N VMCGLE-31M-01 WAS VMCGLE	PB 100394						
REV	DESCRIPTION	ENGR DATE						