



TAI-SAW TECHNOLOGY CO., LTD.

No. 3, Industrial 2nd Rd., Ping-Chen Industrial District,
Taoyuan, 324, Taiwan, R.O.C.

TEL: 886-3-4690038 FAX: 886-3-4697532

E-mail: tstsales@mail.taisaw.com Web: www.taisaw.com

Approval Sheet For Product Specification

Issued Date:

Product Name: SAW Resonator 433.98MHz

TST Parts No.: TC433H2-A

Customer Parts No.: _____

Company: _____
Division: _____
Approved by : _____
Date: _____

Checked by: YJ Tien

Approval by: Francis Chen

Date: 1,28,2003



TAI-SAW TECHNOLOGY CO., LTD.

No. 3, Industrial 2nd Rd., Ping-Chen Industrial District,
Taoyuan, 324, Taiwan, R.O.C.

TEL: 886-3-4690038 FAX: 886-3-4697532

E-mail: tstsales@mail.taisaw.com Web: www.taisaw.com

SAW Resonator 433.98 MHz

MODEL NO.: TC433H2-A

REV. NO.:2

A. FEATURES:

- 1-Port Resonator.

B. MAXIMUM RATING:

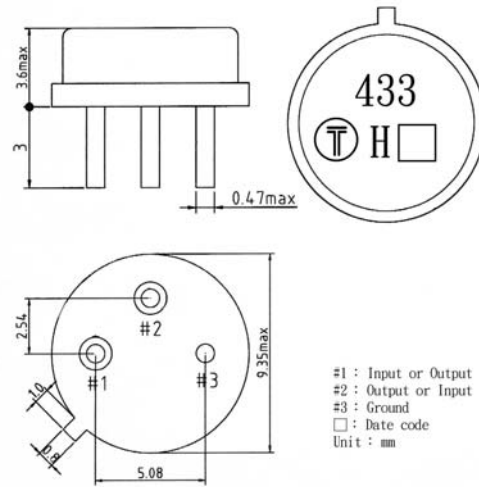
- Power Dissipation: 0 dBm.
- DC voltage: 12 V.
- Storage Temperature: -40 °C to 85 °C.
- Operating Temperature:-40 °C to 85 °C



C. ELECTRICAL CHARACTERISTICS:

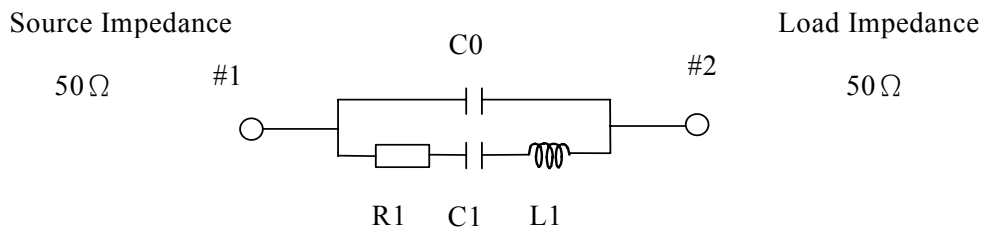
Characteristic	Units	Minimum	Typical	Maximum
Center frequency Fr	MHz	433.905	433.98	434.055
Insertion Loss IL	dB	-	1.0	2.0
Unloaded Quality factor		-	14500	-
Ageing of Fc	ppm	-	-	10/year
Equivalent Elements				
Motional capacitance C1	fF	-	2.3	-
Motional inductance L1	μH	-	58	-
Motional resistance R1	Ohm	-	14	25
Parallel capacitance Co	pF	-	3.2	-
Temp.coeff.	ppm/c*2	-	0.032	-
Turnover To	deg.C	20	-	50
Package size		TO-39		

D. OUTLIN DRAWING :

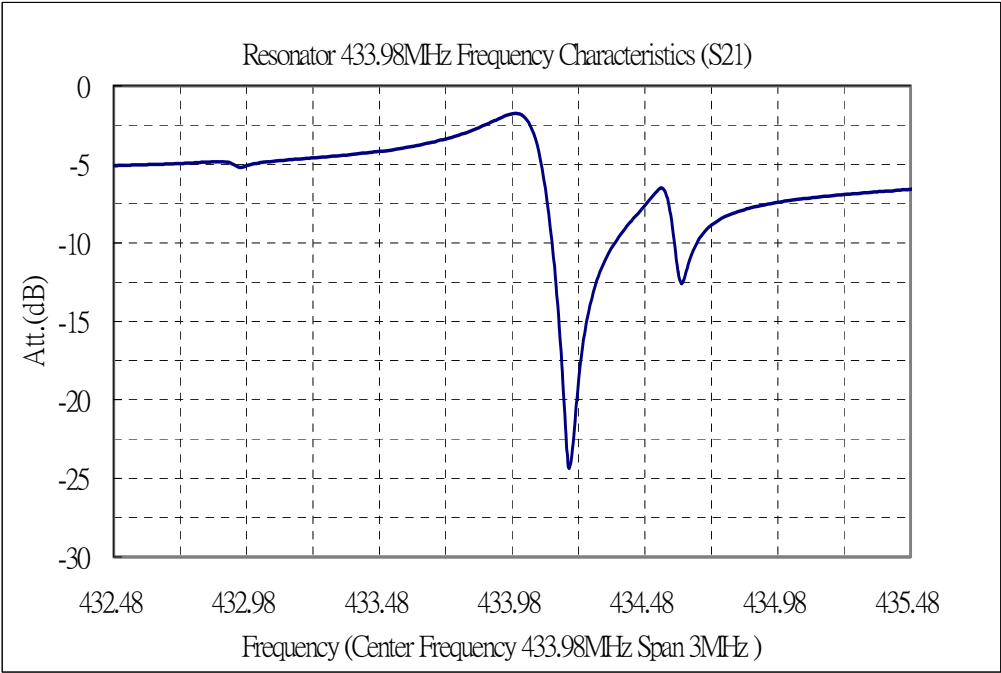


E. EQUVIRENT CIRCUIT :

One-Port Resonator:



F. FREQUENCY CHARACTERISTICS:



G. TEST CIRCUIT:

