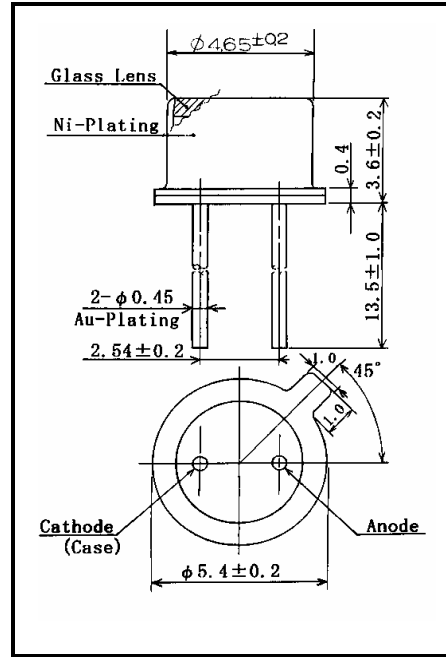


# MTPS8085W

## Point Source LED



Dimensions (Unit:mm)

- FEATURES**
- Point-Source LED
  - Emitting Window Dia. 150 μm
  - High-output Power
  - Small Temp. Coefficient of PO
  - High Reliability in Demanding Environments
- APPLICATIONS**
- Optical Switches
  - Optical Instruments

### 1. ABSOLUTE MAXIMUM RATINGS (Ta=25 °C)

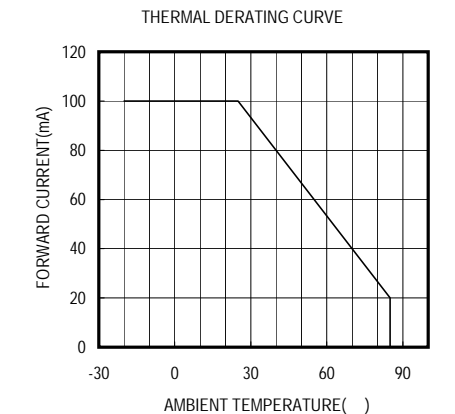
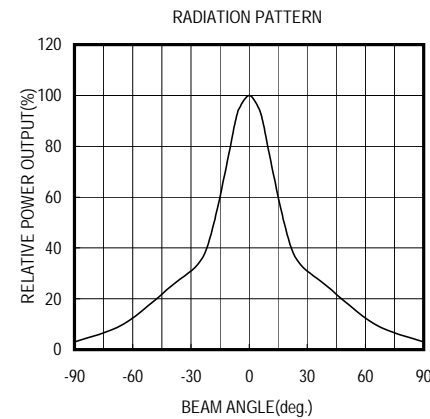
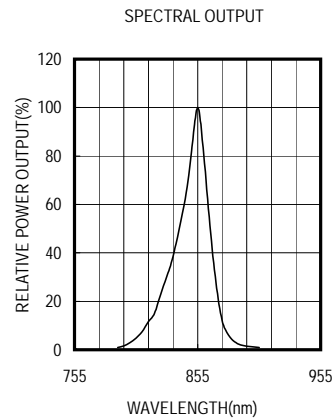
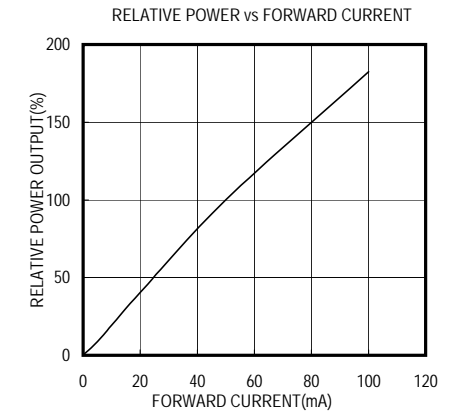
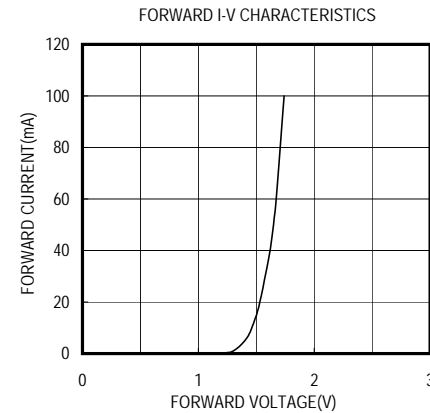
ITEM	SYMBOL	RATINGS	UNIT
Forward Current (DC)	IF	100	mA
Forward Current (Pulse)*1	IFP	0.8	A
Reverse Voltage	VR	5	V
Power Dissipation	PD	190	mW
Operating Temp.	Topr	-30 TO 100	
Storage Temp.	Tstg	-40 TO 125	

\*1: Tw=10μs, T=10ms

\*2: Time 5 Sec max, Position: Up to 3mm from the body

### 2. ELECTRICAL & OPTICAL CHARACTERISTICS (Ta=25 °C)

ITEM	SYMBOL	CONDITIONS	MIN	TYP	MAX	UNIT
Power Output	PO	IF=50mA	3.6	6.0		mW
Forward Voltage	VF	IF=50mA		1.7	2.2	V
Reverse Current	IR	VR=5V			10	μA
Peak Wavelength	λp	IF=50mA		855		nm
Spectral Line Half Width		IF=50mA		30		nm
Half Intensity Beam Angle		IF=50mA		±20		deg.



To purchase this part contact  
Marktech Optoelectronics at  
**800.984.5337**

**Marktech**  
Optoelectronics  
www.marktechopto.com

