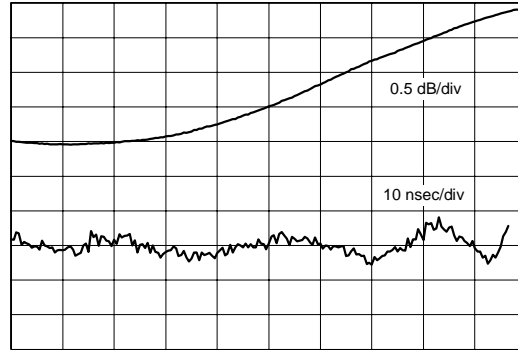


Lowpass Filter

KR Model
MDV8B250-S

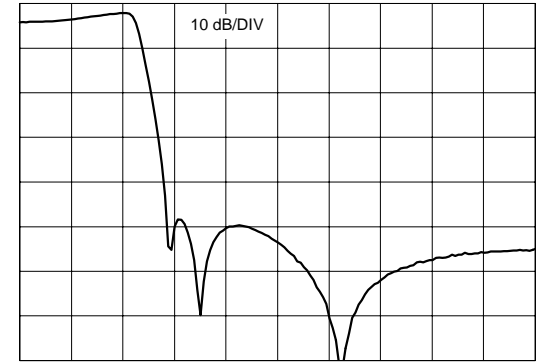
Passband Amplitude & Group Delay



100 KHz

2.5 MHz

Overall Amplitude



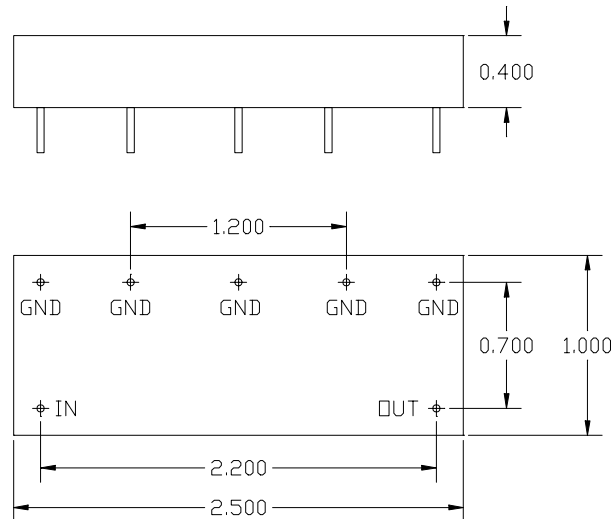
100 KHz

12 MHz

Specifications

KR Part Number	MDV8B250-S
Filter Type	Video Lowpass
Insertion Loss	< 5 dB
End of Passband	2.5 MHz
Effective Passband Ripple	< ± 0.20 dB
Start of Stopband	3.5 MHz
Stopband Attenuation	> 45 dB
Group Delay Ripple	< 30 nsec
Group Delay Control to	3.5 MHz
Sin(x)/x Correction	Yes Sampling freq 6.75 MHz
Source and Load Impedance	75 Ω

Outline Drawing



NOTES:

1. INPUT AND OUTPUT PINS .030" DIA
2. GROUND PINS .040" DIA
3. CASE IS BLACK EPOXY ENCAPSULATED

Dimensions inches

KR Electronics
www.krfilters.com
91 Avenel Street
Avenel, NJ 07001
732-636-1900