

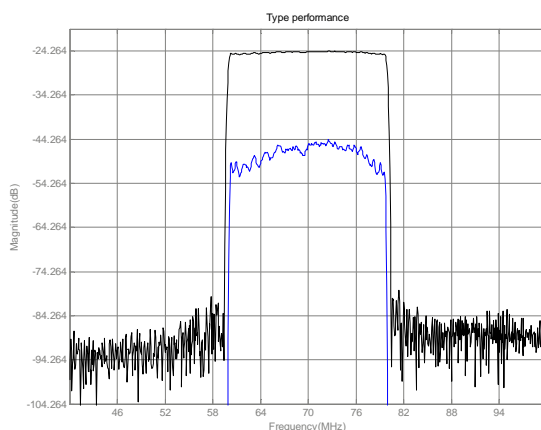


LBN07078 SAW Filter Electrical Characteristic

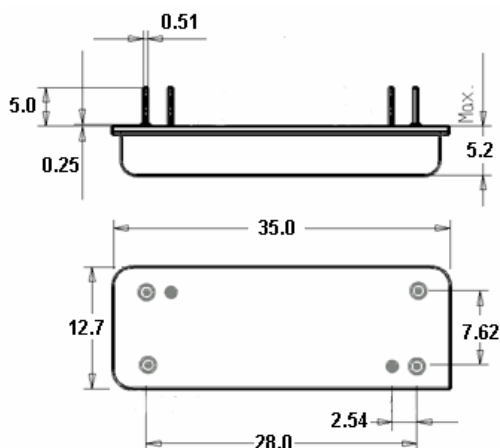
Specifications

Parameter	Unit	Minimum	Typical	Maximum
Center Frequency	MHz	69.9	70	70.1
Insertion Loss	dB	-	24.2	25
1 dB Bandwidth	MHz	-	19.53	-
3 dB Bandwidth	MHz	19.8	19.86	-
40 dB Bandwidth	MHz	-	20.82	21.0
50 dB Bandwidth	MHz	-	20.91	-
Passband Variation	dB	-	0.7	1.0
Absolute Delay	usec	-	2.91	3.0
Ultimate Rejection	dB	50	55	-
Substrate Material		128 LiNbO3		
Ambient Temperature	°C	25		
Package Size		DIP3512 (35.0x12.7x5.2mm ³)		

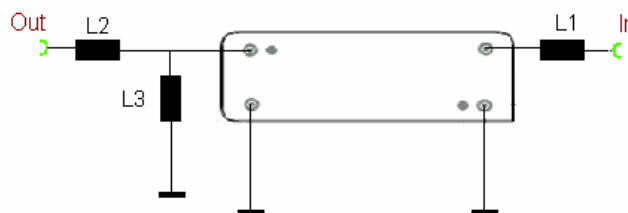
Typical Performance



Package Outline



Matching Configuration



$$L1=L2=56\text{nH} \quad L3=180\text{nH}$$

Source/Load Impedance=50 ohm

Notes - Component values may change depending on board layout.