

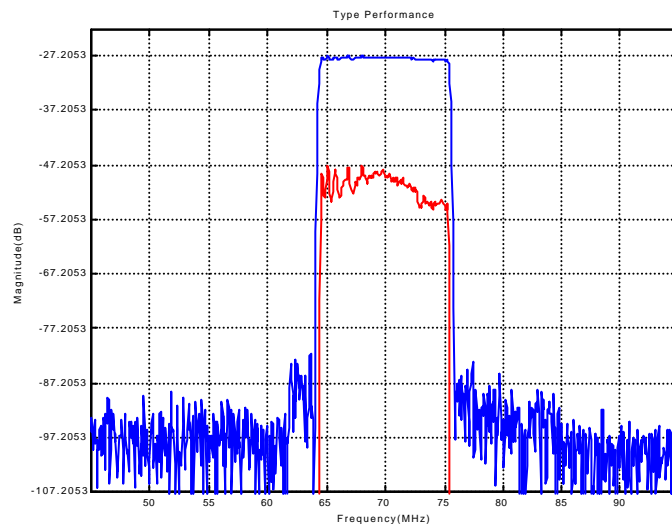


LBN07059 SAW Filter Electrical Characteristic

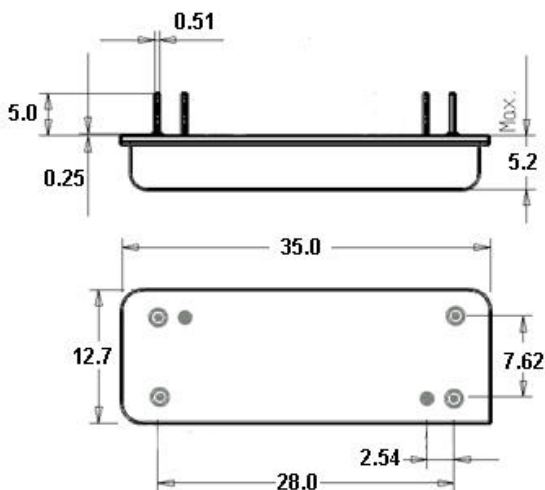
Specifications

Parameter	Unit	Minimum	Typical	Maximum
Center Frequency	MHz	69.9	70	70.1
Insertion Loss	dB		27.2	29
3 dB Bandwidth	MHz	11.0	11.08	
40 dB Bandwidth	MHz		11.75	11.85
Passband variation	dB		0.8	1.0
Ultimate Rejection	dB	50	57	
Substrate Material		YZ LN		
Ambient Temperature	°C	25		
Package Size	DIP3512 (35x12.7x5.2mm ³)			

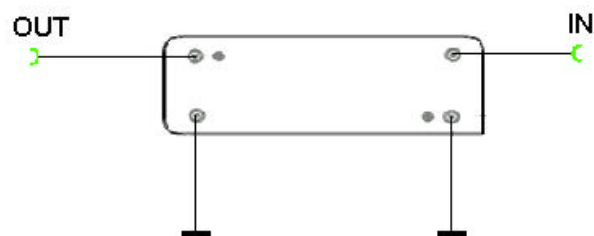
Typical Performance



Package Outline



Matching Configuration



Source/Load Impedance = 50 ohm