

Low Pass Filter for Cable Modem Applications EPE6310G & EPE6310G-RC



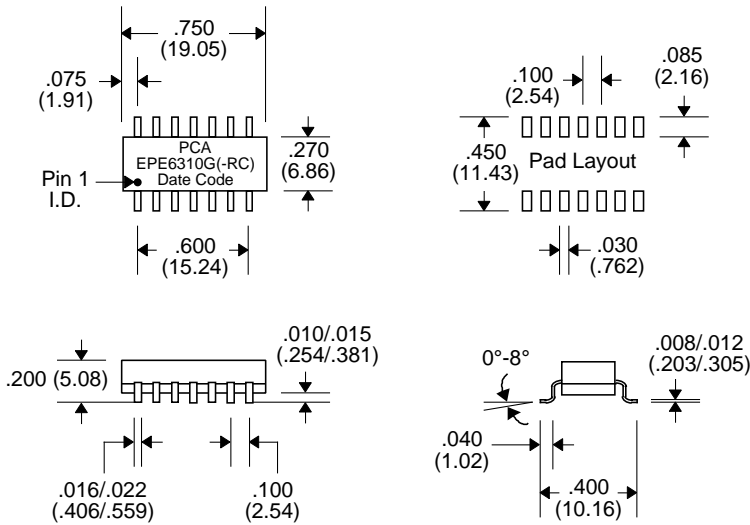
- Integrated LPF designed to work with Broadcom BCM3033, BCM3137 & BCM3210 Chips
- Add "-RC" after part number for RoHS Compliant
- Robust construction allows for IR/VP processes
- Available in SMD, DIP and DIL Packages

Electrical Parameters @ 25° C

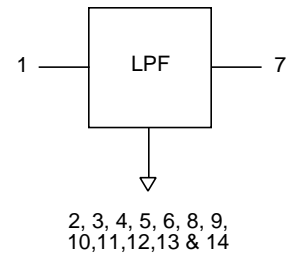
Cut-off Frequency (MHz)	Insertion Loss (dB Max.)	Return Loss (dB Min.)	Attenuation (dB Min.)				
			@ 60 MHz	@ 80 MHz	@ 100 MHz	@ 200 MHz	200-300 MHz
± 3.0 MHz	5-42 MHz	5-42 MHz	-10	-35	-30	-40	-50
52	-1	-15					

• Characteristic Filter Impedance : 75 •

Package



Schematic



Notes :	EPE6310G	EPE6310G-RC
1. Lead Finish	SnPb	Matte Tin
2. Peak Temperature Rating	225°C	260°C
3. Moisture Sensitive Levels	MSL = 3 (168 Hours, 30°C/60%RH)	MSL = 4 (72 Hours, 30°C/60%RH)
4. Weight	TBD grams	TBD grams
5. Packaging Information (*Add "TR" to end of part number when placing order)	(Tube)	TBD pieces/tube
	(Tape & Reel)	TBD pieces/13" reel (*EPE6310G-TR)
		TBD pieces/13" reel (*EPE6310G-RCTR)

Unless Otherwise Specified Dimensions are in Inches /mm ± .010 / .25