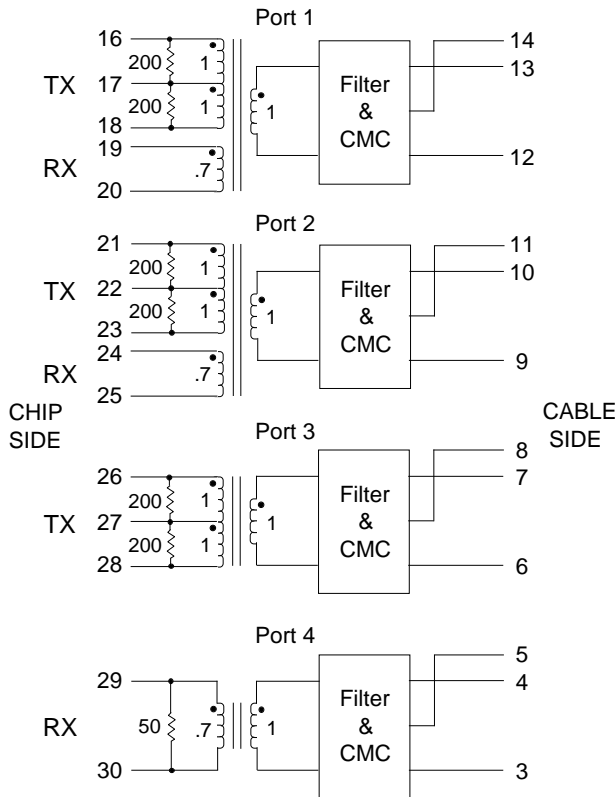


100 Base-T4 Interface Module (Used with Intel 82553)

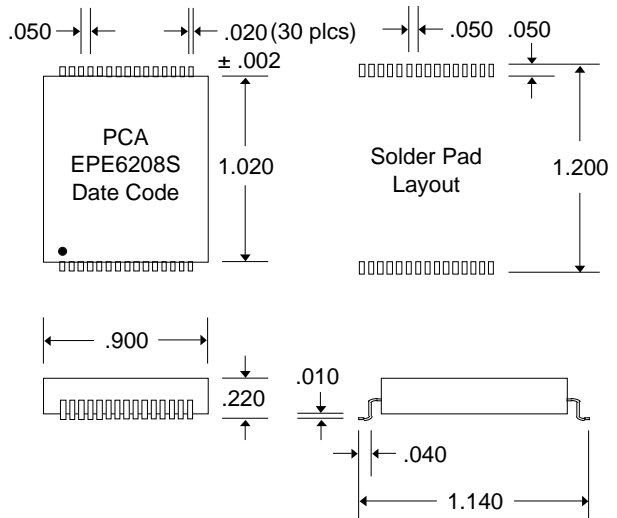
PCA Part Number(s)		EPE6208S			
Electrical Specifications @ 25°C					
Parameter	Frequency	Specification	XMIT	RCV	Unit
Insertion Loss (Note 1)	2-12.5 MHz		1.0	1.0	dB Max.
Attenuation (Note 2)	30 MHz		25	25	dB Min.
	40 MHz		35	35	dB Min.
Return Loss	2-12.5 MHz	@ 100	18	18	dB Min.
Common Mode Rejection	1-30 MHz		50	30	dB Min.
	30-100 MHz		40	30	dB Min.
Crosstalk	2-12.5 MHz	45 (Between Ports)			dB Min.
Isolation		1500			Vrms

Notes : 1. Excludes loss due to resistors.
2. Referenced to filter output @ 5 MHz.

Schematic



Package



DSE6208S Rev.4 7/9/96

QAF-CS07 8/10/94

Unless Otherwise Noted
Dimensions in Inches
Tolerances: Fractional = ± 1/32
.XX = ± .030 .XXX = ± .010



16799 SCHOENBORN ST.
NORTH HILLS, CA 91343

TEL: (818) 892-0761
FAX: (818) 894-5791
WEB: <http://www.pcainc.com>