

- General Purpose 10Base-T Filter Module
- Complies with or exceeds IEEE 802.3, 10Base-T Standards
- Available in SMD and DIP Packages

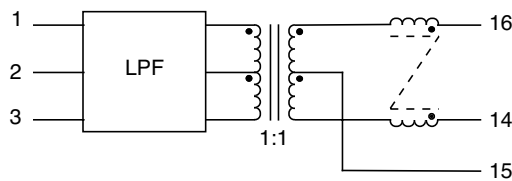
Electrical Parameters @ 25° C

Cut-Off Frequency (MHz)	Insertion Loss (dB Max.)	Return Loss (dB Min.)	Attenuation (dB Min.)				Common Mode Rejection (dB Min.)	Crosstalk (dB Min.)
			@ 20 MHz	@ 25 MHz	@ 30 MHz	@ 40 MHz		
± 1.0 MHz	1-10 MHz	5-10 MHz	@ 20 MHz	@ 25 MHz	@ 30 MHz	@ 40 MHz	5-100 MHz	@ 30 MHz
Xmit/Rcv	Xmit/Rcv	Xmit/Rcv	Xmit/Rcv	Xmit/Rcv	Xmit/Rcv	Xmit/Rcv	Xmit/Rcv	Xmit/Rcv
17/17	-1/-1	-15/-15	-7/-6	-19/-14	-32/-20	-35/-31	-30/-30	-35/-35

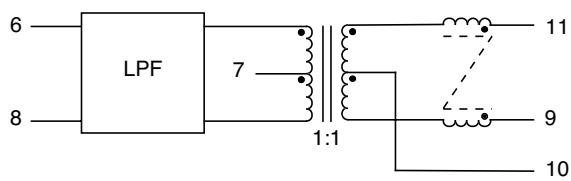
- **Isolation** : meets or exceeds 802.3 IEEE Requirements
- **Characteristic Filter Impedance** : 100 Ω
- Referenced to the Output Level Fundamental Frequency @ 5 MHz

Schematic

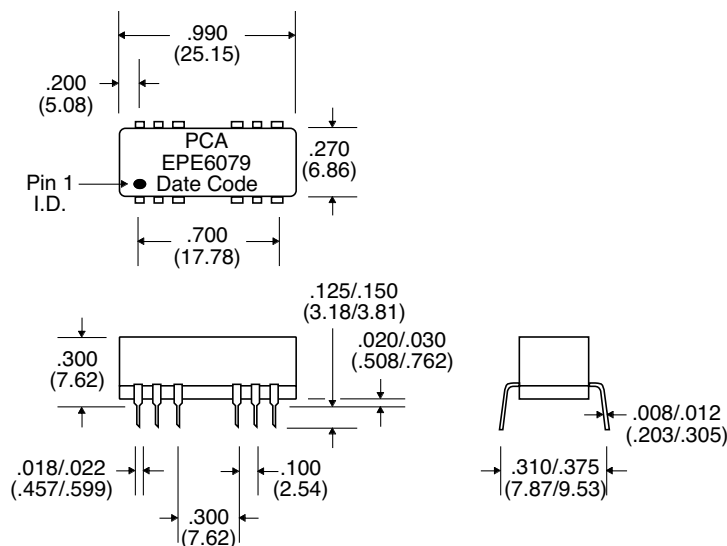
Transmit Channel



Receive Channel



Package



Unless Otherwise Specified Dimensions are in Inches /mm ±.010 /.25