

ADSL Transformer

EPD1023G

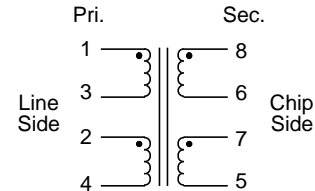
- Designed to meet Supplementary Insulation Requirements •
of IEC 950 for 250 Vac working voltage
- Excellent THD Characteristic •
- Isolation : 1500Vrms •

Electrical Parameters @ 25° C

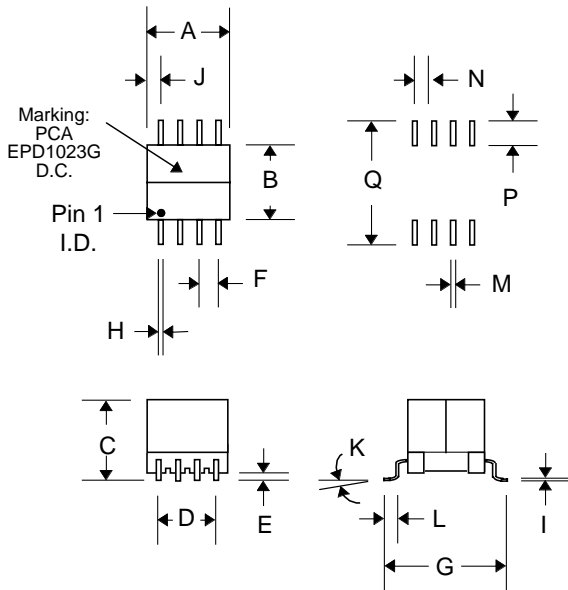
Line Side OCL ($\mu\text{H} \pm 5\%$)	Leakage Inductance (μH)	Interwinding Capacitance (pF Max.)	Total Harmonic Distortion Line Side (dB Typ.)	Longitudinal Balance (dB Min.)	DCR (Ω)		Turns Ratio Pri.:Sec.
					Line	Chip	
@ 10 KHz, 0.1 Vrms	@ 100 KHz, 0.1 Vrms	@ 100 KHz, 0.1 Vrms	@ 100 KHz, 15 Vp-p	@ 100 KHz			
400	3-5	15	-70	-60	0.7-1	0.7-1	1.9:1
Pins 1-4 with 3-2 shorted	Pins 1-4 with 3-2, 8-5 & 6-7 shorted	---	---	---	Pins 1-4 w/ 3-2 shorted	Pins 8-5 w/ 6-7 shorted	Pins 1-4 to 8-5 w/ 3,2 & 6,7 shorted

- Characteristic Impedance : 100 Ω •

Schematic



Package



Dimensions

Dim.	(Inches)			(Millimeters)		
	Min.	Max.	Nom.	Min.	Max.	Nom.
A	.366	.390	.378	9.30	9.90	9.60
B	.323	.346	.335	8.20	8.80	8.50
C	---	.475	---	---	12.07	---
D	---	---	.295	---	---	7.50
E	---	---	.010	---	---	.254
F	---	---	.098	---	---	2.50
G	---	.492	---	---	12.50	---
H	.020	.028	.024	.500	.700	.600
I	.010	.014	.012	.250	.350	.300
J	---	---	.040	---	---	1.00
K	0°	8°	4°	0°	8°	4°
L	.030	.049	.039	.750	1.25	1.00
M	---	---	.031	---	---	.800
N	---	---	.100	---	---	2.54
P	---	---	.079	---	---	2.00
Q	---	---	.531	---	---	13.50