

ADSL Transformer

EPD1007G

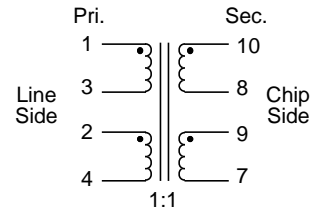
- Designed to use with Analog Devices • AD20MSP910 ADSL IC Chip
- Designed to meet Supplementary Insulation Requirement • of IEC950 for 250 VAC working Voltage
- Excellent THD Characteristic •
- Isolation : 2000Vrms •

Electrical Parameters @ 25° C

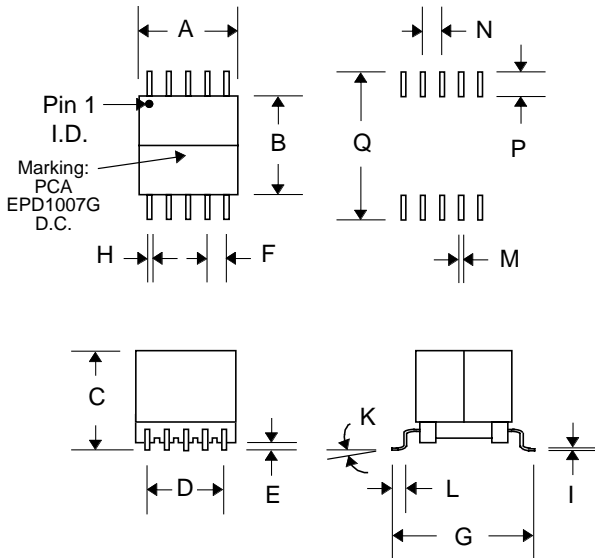
Pri. OCL (mH ± 10%)	Leakage Inductance (µH Max.)	Interwinding Capacitance (pF Max.)	Insertion Loss (dB Max.)	Frequency Response (dB)	Total Harmonic Distortion (dB Typ.)	Longitudinal Balance (dB Min.)	DCR (Ω Max.)	
							Pri.	Sec.
@ 10 KHz, 1 Vrms	@ 100 KHz, 0.1 Vrms	@ 10 KHz, 1 Vrms	@ 100 KHz, 100 Ω	30 KHz - 1.1 MHz	@ 30 KHz, 4 Vrms, 100 Ω	1 KHz ~ 1 MHz		
5	16	50	-0.5	1.1	-83	-40	2.6	2.6
Pins 1-4 w/2-3 shorted	Pins 1-4 w/2 & 3, 10-7 & 8 & 9 shorted						Pins 1-4	Pins 10-7

• Characteristics Impedance : 100 Ω •

Schematic



Package



Dimensions

Dim.	(Inches)			(Millimeters)		
	Min.	Max.	Nom.	Min.	Max.	Nom.
A	.490	.530	.512	12.45	13.46	13.00
B	.506	.516	.510	12.85	13.11	12.95
C	.460	.480	.470	11.68	12.19	11.94
D	.395	.405	.400	10.03	10.29	10.16
E	.005	.015	.010	.127	.381	.254
F	.095	.105	.100	2.41	2.67	2.54
G	.665	.675	.670	16.89	17.15	17.02
H	.026	.030	.028	.660	.762	.711
I	.010	.014	.012	.254	.356	.305
K	0°	8°	---	0°	8°	---
L	.029	.049	.039	.737	1.25	.991
M	---	---	.051	---	---	1.29
N	---	---	.100	---	---	2.54
P	---	---	.100	---	---	2.54
Q	---	---	.700	---	---	17.78