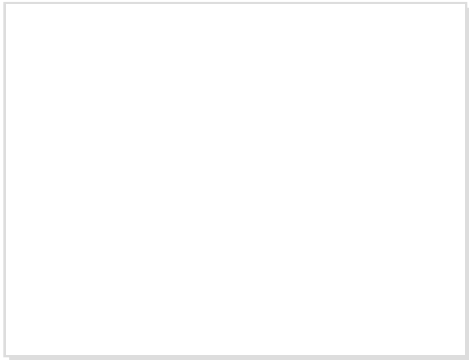


Flyback Transformer

EPC3014



- Meets or Exceeds IEC742/TUV/VDE Specifications for Creepage, Clearance and Dielectric Strength
- Gapped Transformer •

Primary Specification

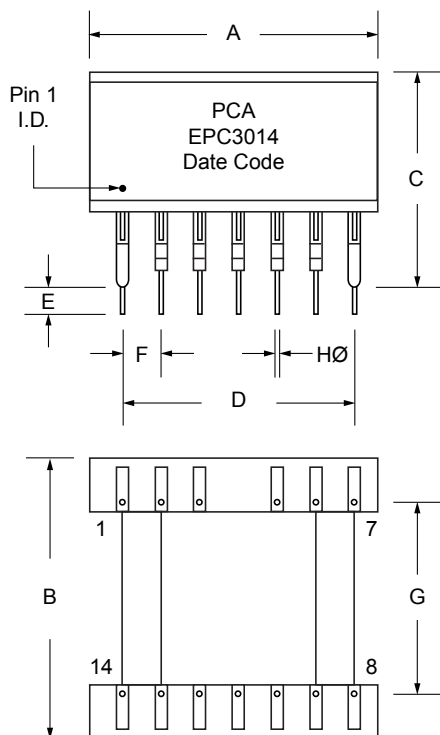
Inductance (mH ±10%)	DCR (Ω Max.)				
@ 10 KHz 0.1 Vrms					
1.38	1.91	.194	.016	.060	2.56
Pins 14,8/13,9	Pins 14-8	Pins 12-10	Pins 1-7/2-6	Pins 5-3	Pins 13-9

Magnetic Design @ P out : 37.4 Watts

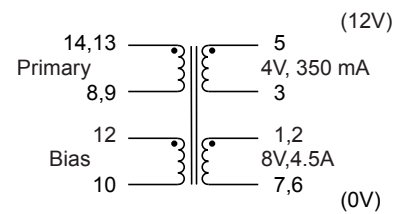
Inductance Change @ .5 Adc	Dielectric Rating (Vrms)			Turns Ratio				
	1 Sec.	1 Sec.	1 Sec.					
10% Max	4500	500	500	10.34:1	15.5:1	15.5:1	31.05:1	1:1
Pins 5-10	Pri. to all Sec. Wdg's	Between Sec' Wdg's	Between Pri. and Bias	Pins 14-8: 12-10	Pins 14-8: 1-7	Pins 14-8: 2-6	Pins 14-8: 5-3	Pins 14-8: 13-9

• Leakage Inductance : •
75 µH Max. @ 100 KHz, 0.1 Vrms, Pins 14, 13 - 8, 9 with all windings shorted

Package



Schematic



Note : Pin #4 removed

Dimensions

Dim.	(Inches)			(Millimeters)		
	Min.	Max.	Nom.	Min.	Max.	Nom.
A	---	1.500	---	---	38.10	---
B	---	1.465	---	---	37.21	---
C	---	1.250	---	---	31.75	---
D	---	---	1.200	---	---	30.48
E	---	---	.134	---	---	3.40
F	---	---	.200	---	---	5.08
G	---	---	1.00	---	---	25.40
H	---	---	.028	---	---	.700
I	---	---	.028	---	---	.700