

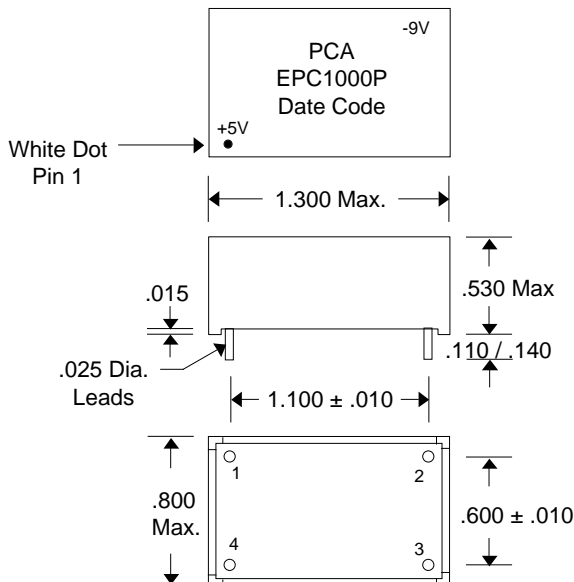
Ethernet DC/DC Converter EPC1000P

- Features**
- 70 % Minimum efficiency at full load
 - Designed for low common mode noise
 - Input filter to reduce input ripple current (Less than 10 mA p-p typical)
 - Fuse Protected
 - Pulse Width Modulator Circuit (For high efficiency and excellent line and load regulation.)
 - Input / Output Isolation

Electrical Specifications

Parameters	Min.	Typ.	Max.	Units
Input Voltage	4.0	5.0	7.5	Volts
Output Voltage	-8.55	-9.0	-9.45	Volts
Output Current	0	----	250	mA
Output Ripple & Noise @ 20 MHz BW	----	----	200	mV p-p
Input Ripple Current	----	----	10	mA p-p
I/O Isolation Part Number EPC1000P	500	----	----	Vrms

Package A1



Pin Connection Diagram

