



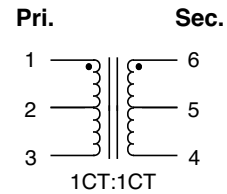
- Voice/Analog Switching Application •
- Excellent Return Loss and Balance •
- 1250 Vrms Isolation •
- Operating Temperature : 0°C to +85°C •

Electrical Parameters @ 25° C

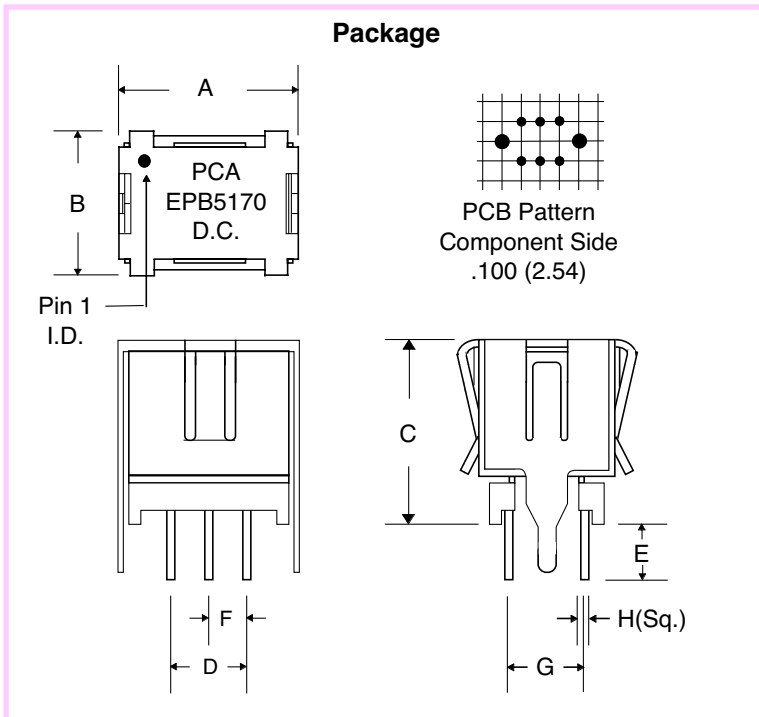
Inductance (mH Min.)	Return Loss (dB Min.)	Insertion Loss (dB Max.)	Frequency Response (± dB)	Longitudinal Balance (dB Min.)	DCR (Ω ± 10%)	
@ 200 Hz, 1 Vrms	@ 1 KHz	@ 1 KHz	0.3-3 KHz (Ref. @ 1 KHz)	0.2-4 KHz		
700	-23	-1.6	0.25	60	61	75
Pins 1-3					Pins 1-3	Pins 6-4

• Characteristic Impedance : 600 Ω •

Schematic



Package



Dimensions

Dim.	(Inches)			(Millimeters)		
	Min.	Max.	Nom.	Min.	Max.	Nom.
A	---	.465	---	---	11.81	---
B	---	.375	---	---	9.53	---
C	---	.394	---	---	10.00	---
D	---	---	.200	---	---	5.08
E	.100	.130	.115	2.54	3.30	2.92
F	---	---	.100	---	---	2.54
G	---	---	.200	---	---	5.08
H	---	---	.018	---	---	.457