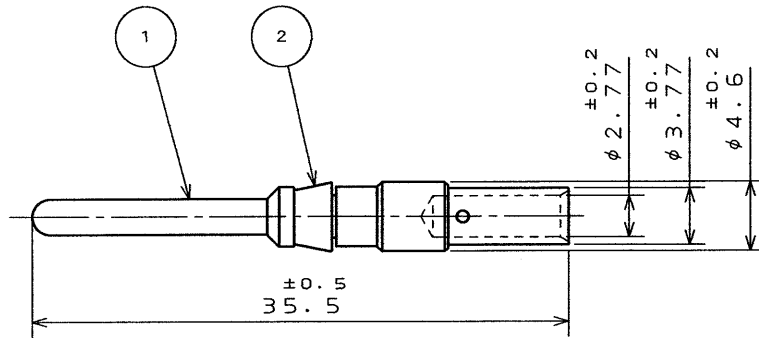


SYM.	DCN NO.	DESCRIPTION	DATE	DRAWN	CHECKED	APP'D	APP'D
------	---------	-------------	------	-------	---------	-------	-------



NOTE 1. APPLICABLE WIRE SIZE IS MENTIONED BELOW.

TABLE 1

CRIMP TYPE	APPLICABLE WIRE	
	WIRE SIZE	INSULATION OUTER DIA.
C 1	AWG #12~16 (3.5mm~1.25mm)	φ 4.65MAX.

2	RETAINER CLIP	1	SYNTHETIC RESIN	_____	_____
1	PIN CONTACT	1	COPPER ALLOY	SILVER PLATING	_____
ITEM	DESCRIPTION	Q'TY	MATERIAL	FINISH	REMARKS
UNLESS OTHERWISE SPECIFIED; T73-18-M			DATE 21. Apr. '95	TITLE CONT-JL05-12P-C1 (#12PIN MACHINE CONTACT)	
DIMENSIONS ARE IN MILLIMETERS			DRAWN M. OOWA	JAE-CONNECTOR.COM Reference Only JAPAN AVIATION ELECTRONICS INDUSTRY, LTD.	
TOLERANCES ON : (INCHES)			CHECKED S. NANA O	MUSASHINO, AKISHIMA-SHI TOKYO, JAPAN	
FRACTIONS	DECIMALS	ANGLES	APP'D T. MORITA	SERIES JL05	SCALE 2/1
			APP'D M. Takagi		DWG. NO. S J 0 2 5 4 2 8 - E