



Data Sheet



Product Category: RF SAW Filter

Part Number	Package	Application	Last Modified
863-RF433.92M-D	3.8 x 3.8 SMD	Remote Control	Jan. 01, 2007

TYPE :

Remote Control, RF SAW Filter

PART NUMBER :

863-RF433.92M-D

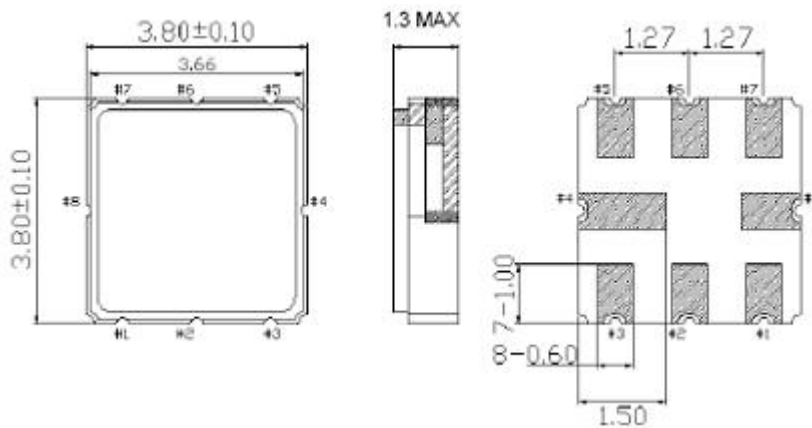


OPERATING CONDITIONS / ELECTRICAL CHARACTERISTICS

PARAMETERS	Condition	Minimum	Typical	Maximum	Units
Center Frequency (Fo)	-	-	433.92	-	MHz
Maximum Insertion Loss	433.80~ 434.12 MHz	-	2.0	4.5	dB
Relative Attenuation:	10.0 ~ 414.0 MHz	45	50	-	dB
	414.0~ 428.0 MHz	40	45	-	
	428.0 ~ 432.92MHz	15	20	-	
	434.92 ~ 442.0 MHz	10	15	-	
	442.0 ~ 550.0 MHz	35	40	-	
550.0 ~ 1000.0 MHz	45	50	-	-	
Source Impedance (single ended)*	-	-	50	-	ohm
Load Impedance (single ended)*	-	-	50	-	ohm
Pass Band Ripple	433.76~ 434.16 MHz	-	1.0	2.0	-
Maximum DC Voltage	-	-	-	10	V
Maximum Input Power	-	-	-	10	dBm
Operating Temperature	-	-40	-	+85	°C

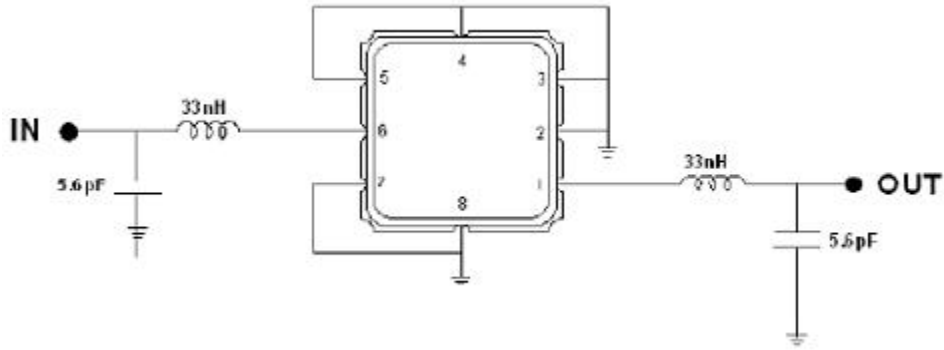
* With Matching Network

PACKAGE OUTLINE (mm)



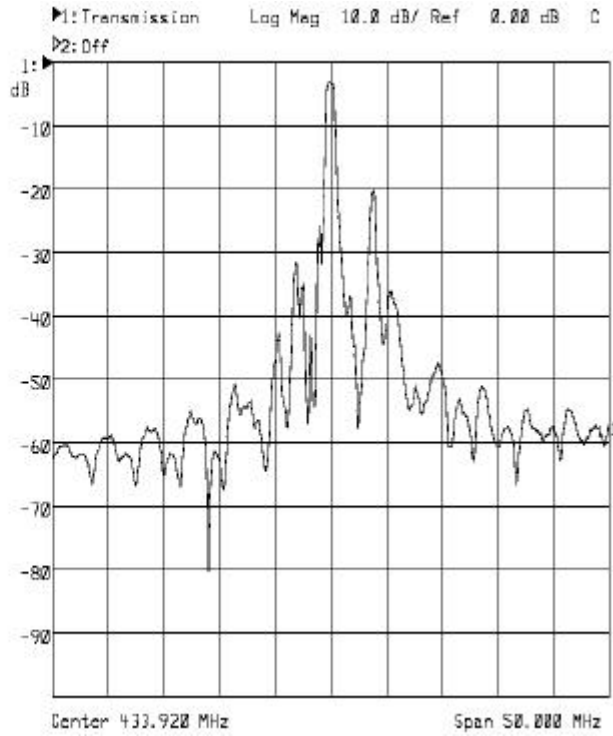
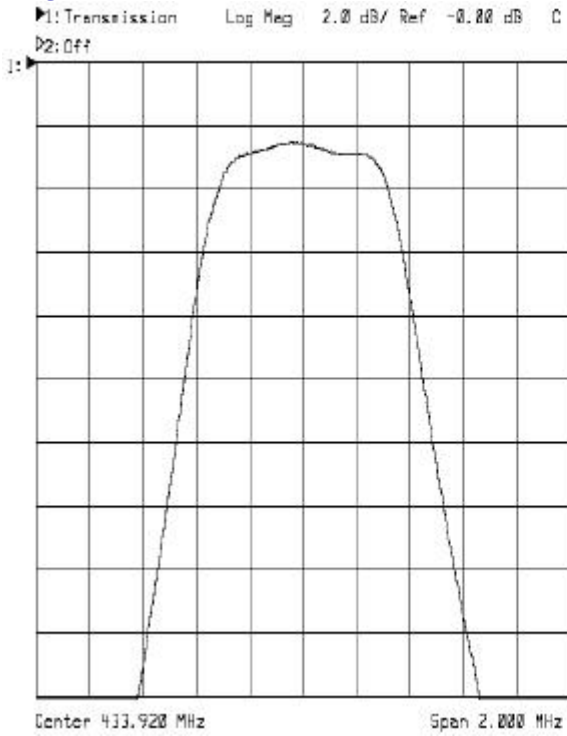
PIN LAYOUT	
1	Out
2	Ground
3	Ground
4	Ground
5	Ground
6	In
7	Ground
8	Ground

TEST FIXTURE



Source/ Load Impedance = 50 ohms

FREQUENCY RESPONSE



Oscilent Corporation - CALL 949.252.0522

Part No.: 863-RF433.92M-D

18195 East McDermott Street, Building D, Irvine, CA 92614, USA
 Fax: 949.252.0599, E-Mail: Sales@Oscilent.com