

2.0mm PITCH PLUG RIGHT SMD TYPE FOR 2.5"HDD

(MOTHER BOARD SIDE)



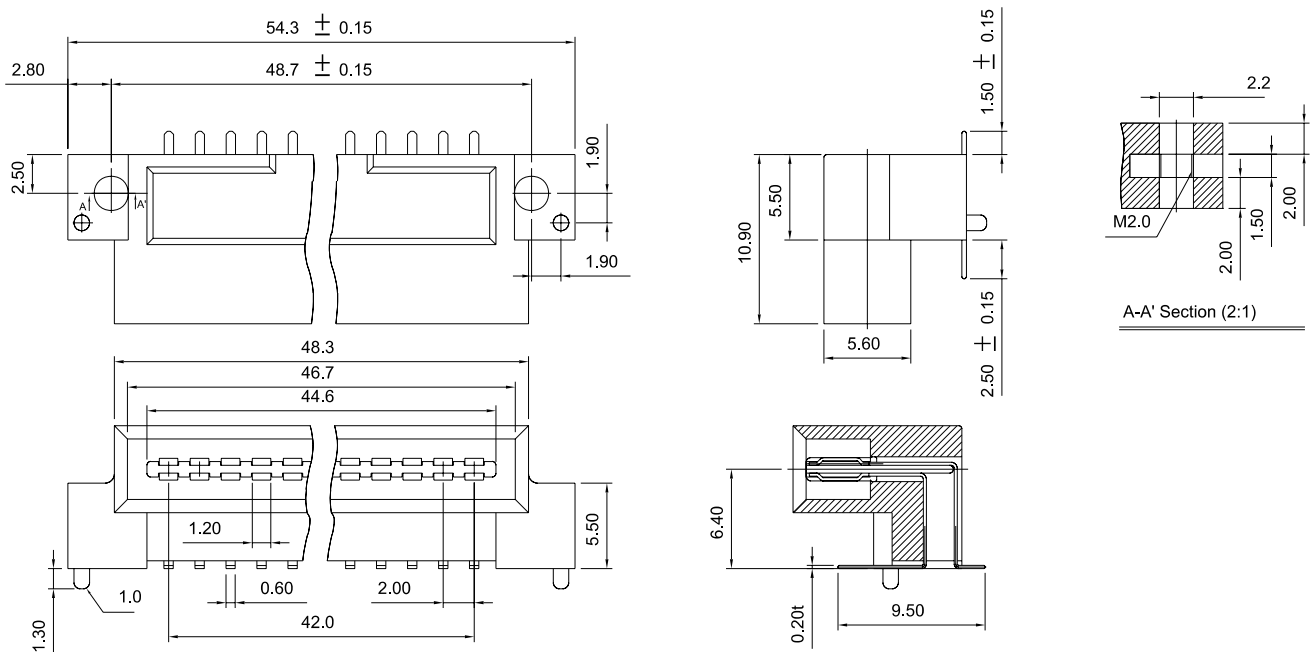
200223MB Series

Mates With *SUYIN 200220FD Series*

Specifications:

- **44 Circuits**
- **Insulator material** : Black High Temp . Plastic
- **Max Processing Temp.:** 230°C for 30 Seconds
- **Terminal Material** : Pho. bronze
- **Plating** : Contact-Full Gold Plated
- **Max. Current Rating** : 1.5A
- **Voltage Rating** : 150V AC
- **Dielectric Strength** : 500V (Min. 60 seconds)

2.0
mm



Order Information

200223MB044G500ZU
1 2 3 4 5

1. 'B' : Right Angle SMT Type
 2. No. of Pins
 3. Plating
'G5' : 30u" In Contact Area
 4. Color 'Z' : Black
 5. Package
'U' : Tube Package Without CAP
- Reference Page 11

Recommended P.C.B Layout

