

4

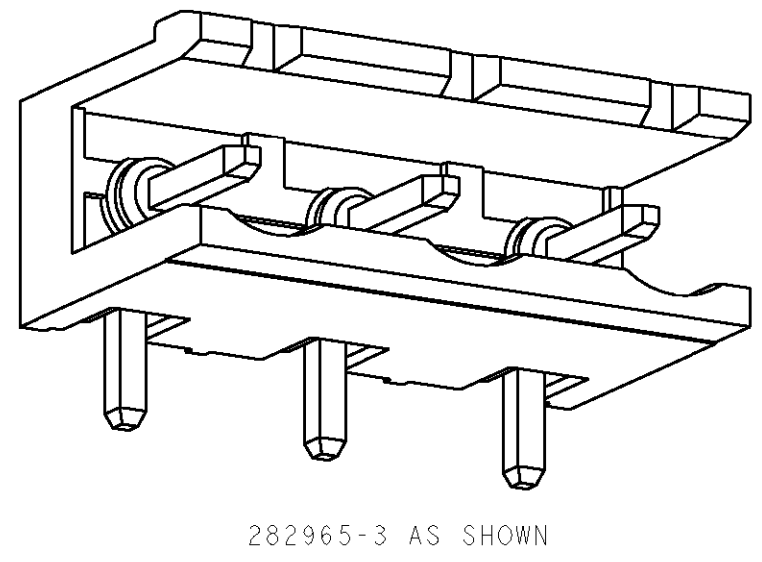
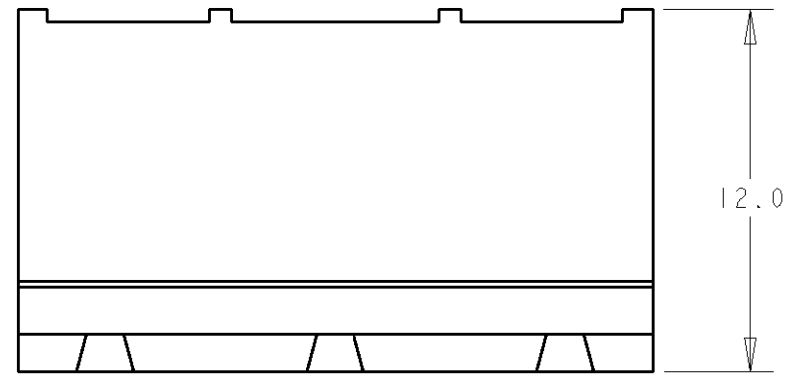
3

2

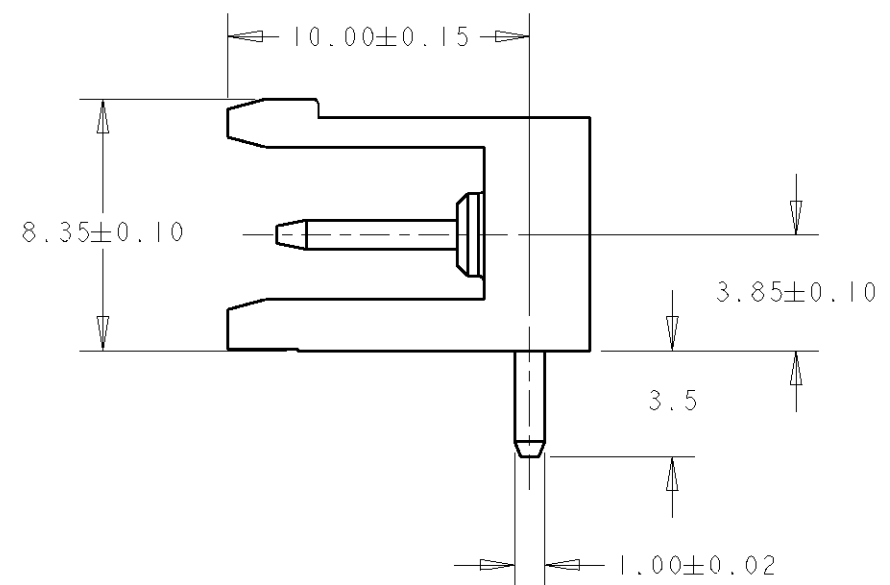
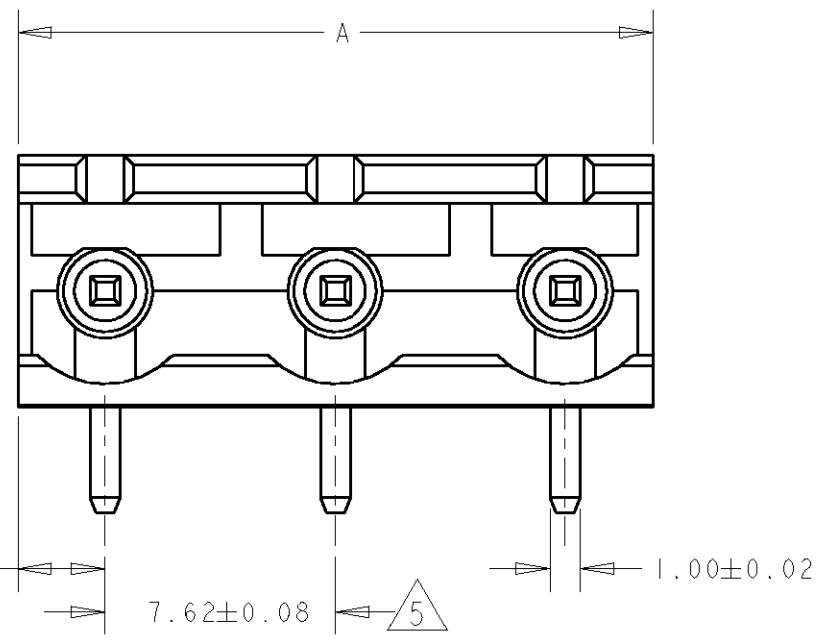
1

THIS DRAWING IS UNPUBLISHED. RELEASED FOR PUBLICATION 20  
 © COPYRIGHT 20 BY TYCO ELECTRONICS CORPORATION. ALL RIGHTS RESERVED.

LOC	DIST	REVISIONS			
P	LTR	DESCRIPTION	DATE	DWN	APVD
FT	0				
		C	REVISED PER 0G3B-0119-01	09OCT2001	EZ DB

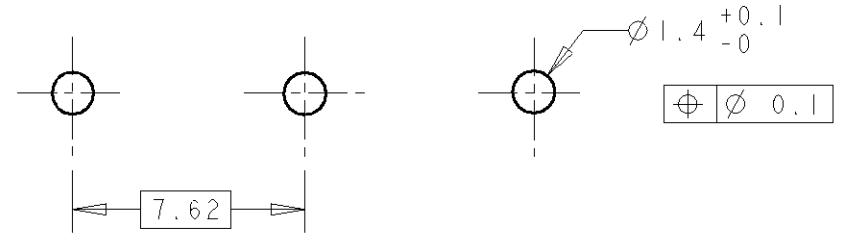


- 1 MATERIALS AND FINISH  
HOUSING: PA 6-6, UL 94-V0, COLOR GREEN.  
TERMINAL: PHOSPHOR BRONZE, TIN PLATED.
  - 2 SUITABLE FOR 1,6-2,4mm PC BOARD THICKNESS.
  - 3 RECOGNIZED UNDER THE COMPONENT PROGRAM OF UNDERWRITERS LABORATORIES INC., FILE N° E60677.
  - 4 IMQ CERTIFICATE WITH SURVEILLANCE IN CONFORMITY WITH IEC 998-1/998-2-1.
- 5 NOT CUMULATIVE TOLERANCE.



89.64	12	1-282965-2
82.02	11	1-282965-1
74.40	10	1-282965-0
66.78	9	282965-9
59.16	8	282965-8
51.54	7	282965-7
43.92	6	282965-6
36.30	5	282965-5
28.68	4	282965-4
21.06	3	282965-3
13.44	2	282965-2
DIM. A	N° OF POS.	PART NUMBER

RECOMMENDED PC BOARD LAYOUT



THIS DRAWING IS A CONTROLLED DOCUMENT FOR TYCO ELECTRONICS CORPORATION. IT IS SUBJECT TO CHANGE AND THE CONTROLLING ENGINEERING ORGANIZATION SHOULD BE CONTACTED FOR THE LATEST REVISION.

DIMENSIONS:	TOLERANCES UNLESS OTHERWISE SPECIFIED:	DWN 09OCT2001 E. ZANOLINI	<b>BUCHANAN</b> Tyco Electronics Harrisburg, PA 17105-3608
mm	0 PLC ±.3 1 PLC ±.3 2 PLC ±.25 3 PLC ±. 4 PLC ±. ANGLES ±.2	CHK 09OCT2001 D. BIEVENOUR	
MATERIAL	FINISH	APVD 09OCT2001 D. BIEVENOUR	NAME TERMINAL BLOCK HEADER ASSEMBLY 90°, OPEN ENDS 7.62mm PITCH
		PRODUCT SPEC 108-20166	SIZE A3
		APPLICATION SPEC 114-20079	CAGE CODE 00779
		WEIGHT -	DRAWING NO C=282965
		CUSTOMER DRAWING	RESTRICTED TO -
		SCALE 4:1	SHEET 1 OF 1
			REV C