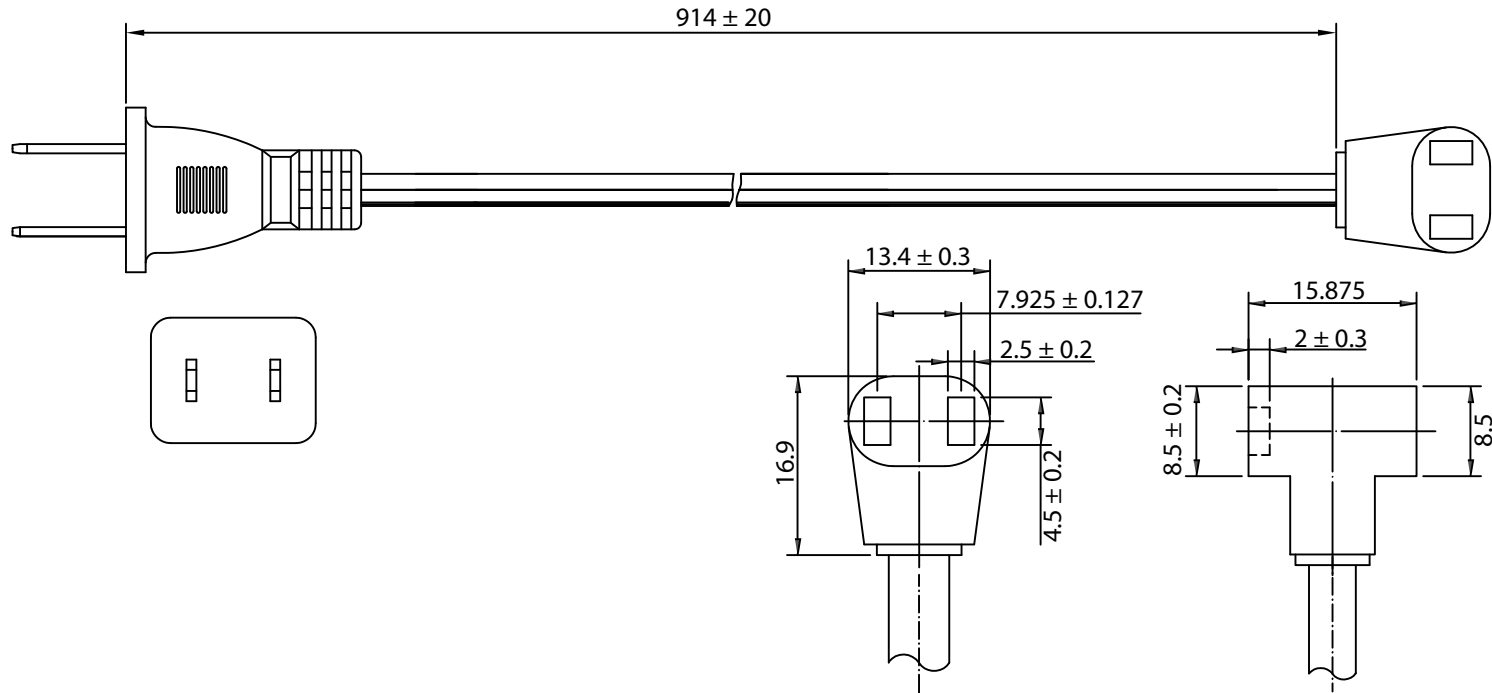


THESE DRAWINGS ARE THE PROPERTY OF QUALTEK ELECTRONICS AND NOT TO BE REPRODUCED FOR OR COMMUNICATED TO A THIRD PARTY WITHOUT THE EXPRESS WRITTEN PERMISSION OF AN OFFICER OF QUALTEK ELECTRONICS.

| REVISION | | | |
|----------|------------------------|----------|----------|
| REV. | DESCRIPTION | DATE | APPROVED |
| B | RoHS Compliancy | 06-01-06 | DP |
| C | Updated Specifications | 09-18-08 | LY |



CONTROLLED

NOTES:

1. RATING: 10A 125V
2. PLUG: NEMA 1-15P
3. CORDAGE: SPT-1, 18AWG/2C, 105°C
4. CORD LENGTH: 36 INCHES
5. APPROVALS: UL, cUL
6. RoHS COMPLIANT

| Dim range (mm) | Tolerance +/- (mm) | Qualtek Electronics Corp. FAN-S DIVISION | | |
|----------------|--------------------|---|----------------|-----------------|
| 0-1 | 0.15 | Part Number: 07199-SP036 | | |
| 1-6 | 0.20 | Description: FAN CORD FEMALE T W/ NEMA 1-15 PLUG | | |
| 6-18 | 0.30 | | UNIT: mm | REV. C |
| 18-50 | 0.50 | Drawn / Date | Checked / Date | Approved / Date |
| 50-120 | 0.70 | B.Zhang 10-18-02 | 10-18-02 | JJH / 10-18-02 |
| 120-250 | 0.90 | | | |
| 250-500 | 1.20 | | | |