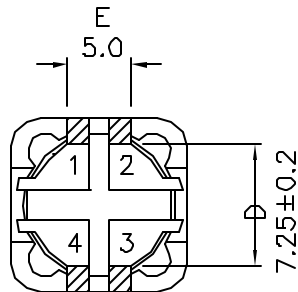
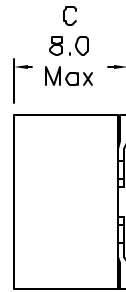
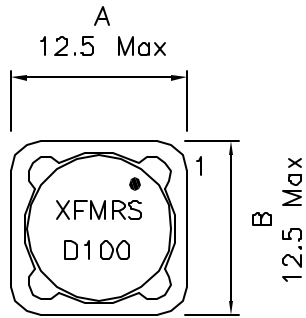
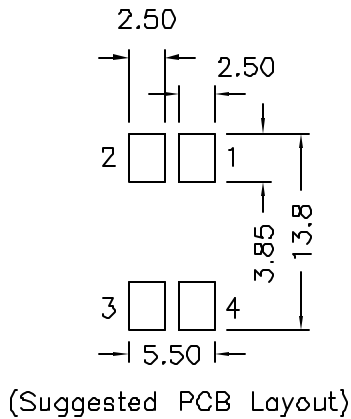


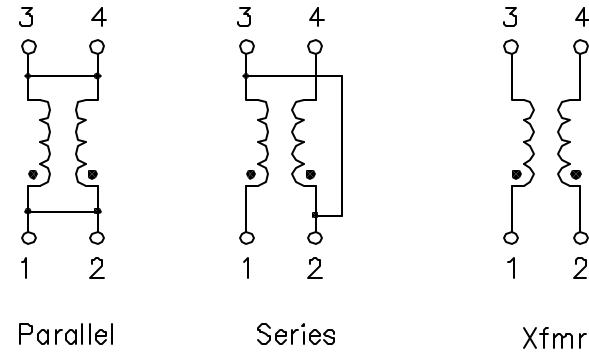
1. Mechanical Dimensions:



(BOTTOM VIEW)



2. Schematic:



3. Electrical Specifications: @25°C

	Parallel	Series
OCL(NO DC):	10.47uH±20%	41.88uH±20% 100KHz, 0.25V
I _{rms} :	6.04A	3.02A (40°C rise)
I _{sat} :	11.2Adc	5.60Adc (30% L drop)
DC RES:	0.0172 Ohms±15%	0.0686 Ohms±15%
V-uS:	17.5	35.0
Isolation:	500 Vrms	

Notes:

1. Solderability: Leads shall meet MIL-STD-202G, Method 208H for solderability.
2. Flammability: UL94V-0
3. ASTM oxygen index: > 28%
4. Insulation System: Class F 155°C, UL file E151556
5. Operating Temperature Range: All listed parameters are to be within tolerance from -40°C to +85°C
6. Storage Temperature Range: -55°C to +125°C
7. Aqueous wash compatible
8. SMD Lead Coplanarity: ±0.004"(0.102mm)
9. Electrical and mechanical specifications 100% tested
10. RoHS Compliant Component

DOC REV: A/5

PROPRIETARY Document is the property of XFMRS Group & is not allowed to be duplicated without authorization.

XFMRS Inc. www.XFMRS.com	Title: Shielded Dual Inductor		
	UNLESS OTHERWISE SPECIFIED TOLERANCES: .xx ±0.25 Dimensions in MM	P/N: XFTPRH1207D-10Q	REV. A
SHEET 1 OF 1	DWN.	Kang Chen	Aug-05-08
	CHK.	YK Liao	Aug-05-08
	APP.	BW	Aug-05-08