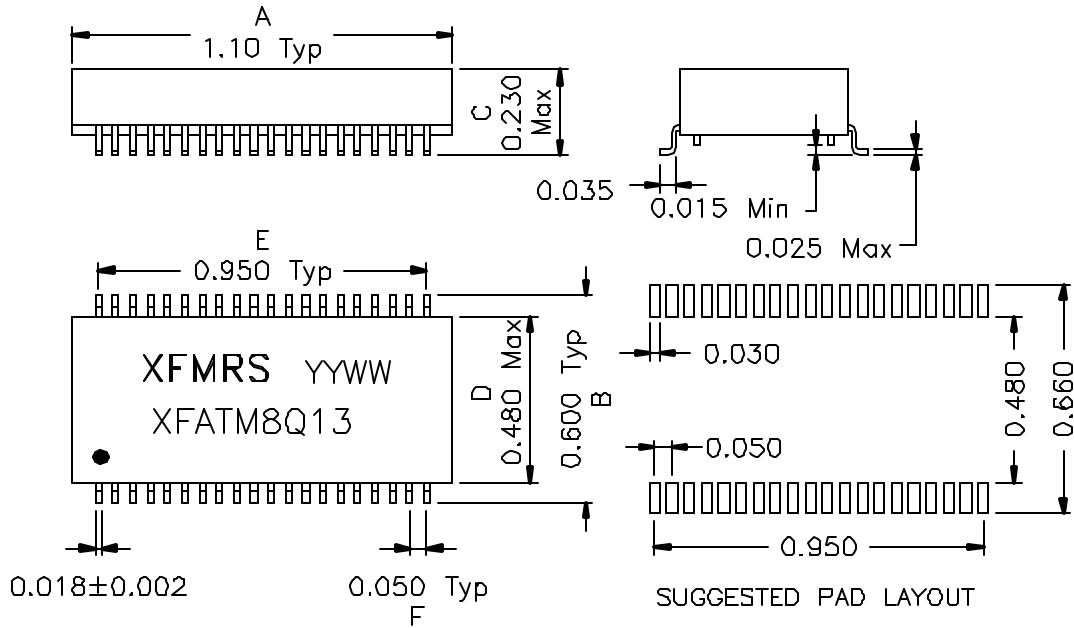
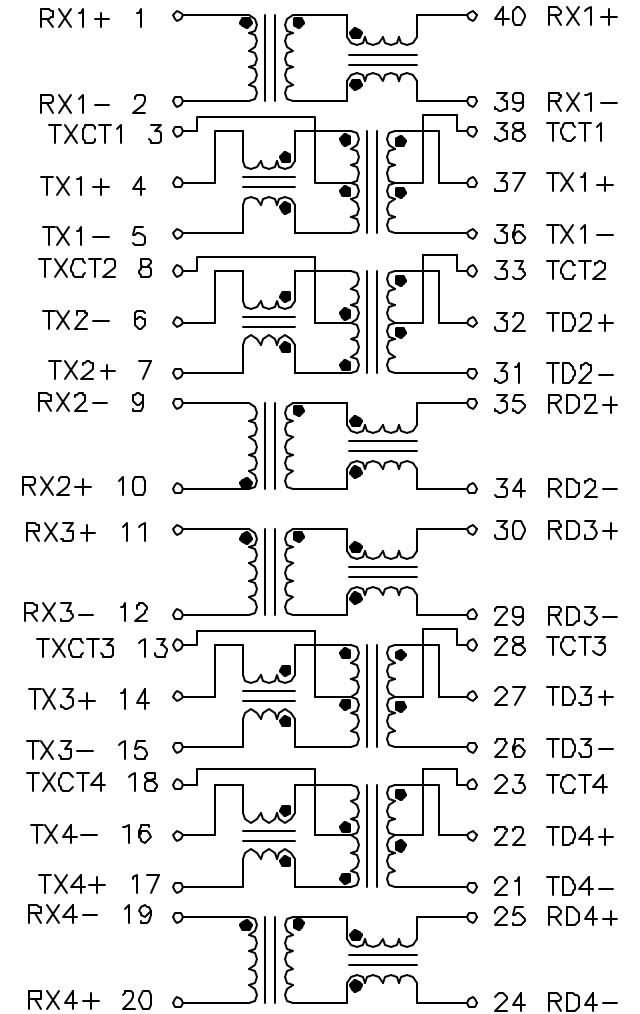


1. Dimensions:



2. Schematic:



3. Electrical Specifications: @25°C

Turns Ratio: PRI/SEC TX 1CT:1CT ±5% RX 1:1 ±5%

Isolation Voltage. 1500 Vrms (Input to Output)

OCL: 350 uH Min With 8mA DC @100KHz 0.1V

INSERTION LOSS: -1.0dB Max @100KHz - 100MHz

RETURN LOSS: 30MHz -16dB Typ
60MHz -12dB Typ.
80MHz -10dB Typ.

CROSSTALK: 30MHz -40dB Typ.
60MHz -35dB Typ.
80MHz -35dB Typ.

DOC. REV. A/2

XFMRS Inc	Title: Quad Port 10/100BASE-TX Module		
	UNLESS OTHERWISE SPECIFIED		REV. A
TOLERANCES:	P/N: XFATM8Q13	DWN.	李清儿
.xxx ±0.010		CHK.	孙小悦
Dimensions in INCH		APP.	Joe Huff
SHEET 1 OF 1			Nov-06-00