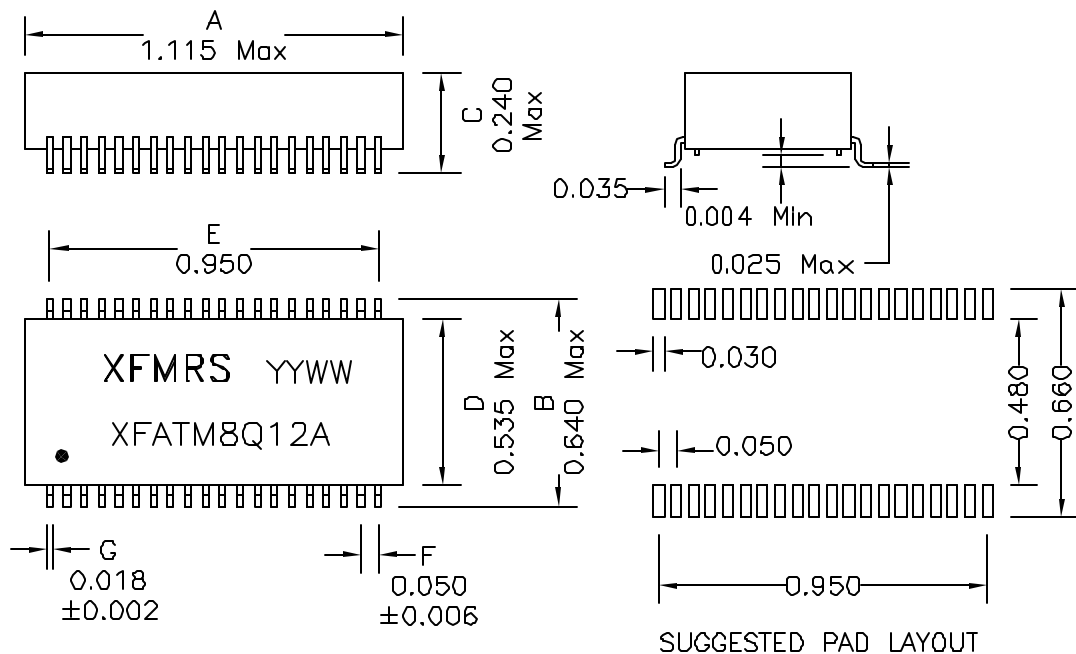
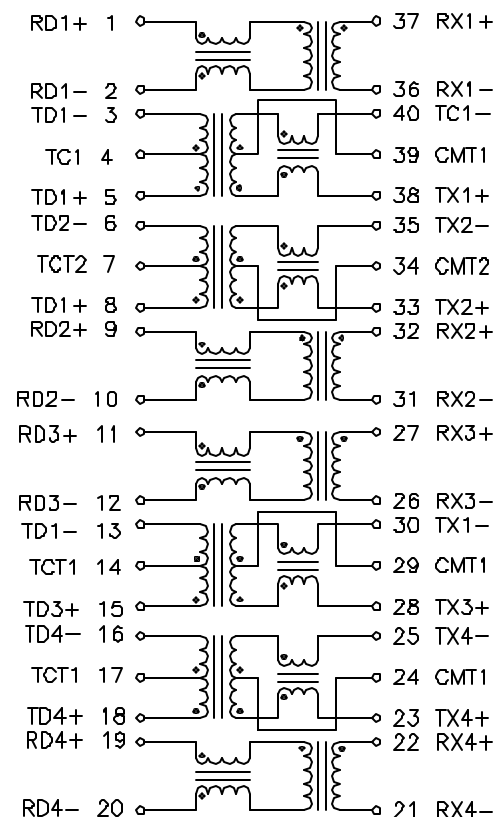


1. Mechanical Dimensions:



2. Schematic:



3. Electrical Specifications: @25°C

Turns Ratio: PRI/SEC TX 1CT:1CT ±3% RX 1:1 ±3%
 Isolation Voltage: 1500 Vrms (Input to Output)
 OCL: 350uH Minimum @100KHz, 100mV 8mADC
 INSERTION LOSS: -0.5dB Typ @0.1-100MHz
 RETURN LOSS: @2-30MHz -21dB Typ.
 @40MHz -17dB Typ.
 @50MHz -14.5dB Typ.
 @60-80MHz -12dB Typ.
 CROSSTALK: -35dB Typ. @100KHz-100MHz
 CMRR: -30dB Typ. @100KHz-80MHz
 Differential to Common Mode Rejection:
 -40dB Typ. @100KHz-60MHz

Notes:

1. Solderability: Leads shall meet MIL-STD-202G, Method 208H for solderability.
2. Flammability: UL94V-0
3. ASTM oxygen Index: > 28%
4. Insulation System: Class F 155°C. UL file E151556
5. Operating Temperature Range: All listed parameters are to be within tolerance from -40°C to +85°C
6. Storage Temperature Range: -55°C to +125°C
7. Aqueous wash compatible
8. SMD Lead Coplanarity: ±0.004"(0.102mm)
9. Electrical and mechanical specifications 100% tested
10. RoHS Compliant Component

DOC REV: B/7

XFMRS Inc www.XFMRS.com	Title: Quad Port 10/100BASE-TX Module		
	UNLESS OTHERWISE SPECIFIED TOLERANCES: .xxx ±0.010		REV. B
Dimensions in INCH	DWN.	Xian Yi	Dec-05-08
SHEET 1 OF 1	CHK.	YK Liao	Dec-05-08
	APP.	Joe Huff	Dec-05-08

PROPRIETARY Document is the property of XFMRS Group & is not allowed to be duplicated without authorization.