



# TAI-SAW TECHNOLOGY CO., LTD.

No. 3, Industrial 2nd Rd., Ping-Chen Industrial District,  
Taoyuan, 324, Taiwan, R.O.C.

TEL: 886-3-4690038 FAX: 886-3-4697532

E-mail: [tstsales@mail.taisaw.com](mailto:tstsales@mail.taisaw.com) Web: [www.taisaw.com](http://www.taisaw.com)

## Approval Sheet For Product Specification

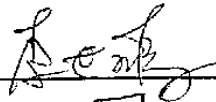
Issued Date:

Product Name: SAW IF Filter 81MHz

TST Parts No.: TB0646A

Customer Parts No.: \_\_\_\_\_

Company: _____
Division: _____
Approved by : _____
Date: _____

Checked by: \_\_\_\_\_ Kazuma Lee 

Approval by: \_\_\_\_\_ Francis Chen 

Date: \_\_\_\_\_ 2008/12/08



# TAI-SAW TECHNOLOGY CO., LTD.

No.3, Industrial 2nd Rd., Ping-Chen Industrial District, Taoyuan, Taiwan, R.O.C.

TEL: 886-3-4690038 FAX: 886-3-4697532

E-mail: [tstsales3@mail.taisaw.com](mailto:tstsales3@mail.taisaw.com) Web: [www.taisaw.com](http://www.taisaw.com)

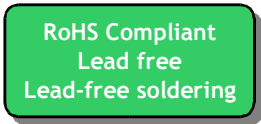
SAW Filter 81MHz 54 MHz BW (SMD 13.3×6.5 mm)

MODEL NO.: TB0646A

REV. NO.1

## A. MAXIMUM RATING:

- 1.Storage Temperature: -40°C to 85°C
- 2.Operating Temperature: -20°C to 70°C
3. Input Power Level : 10 dBm



## B. Characteristics :

Item	Unit	Min.	Type.	Max.
Center frequency, Fc	MHz	-	81	-
Insertion Loss 54 to 108 MHz	dB	-	19.7	25
Passband Variation 54 to 108 MHz	MHz	-	1.0	3.0
Relative Attenuation at 42 MHz	dB	10	46	-
Relative Attenuation at 114 MHz	dB	10	40	-
Temp Coefficient	ppm/K	-	-76	-

### C. Frequency Characteristics:

Wideband Response:(span 150MHz)

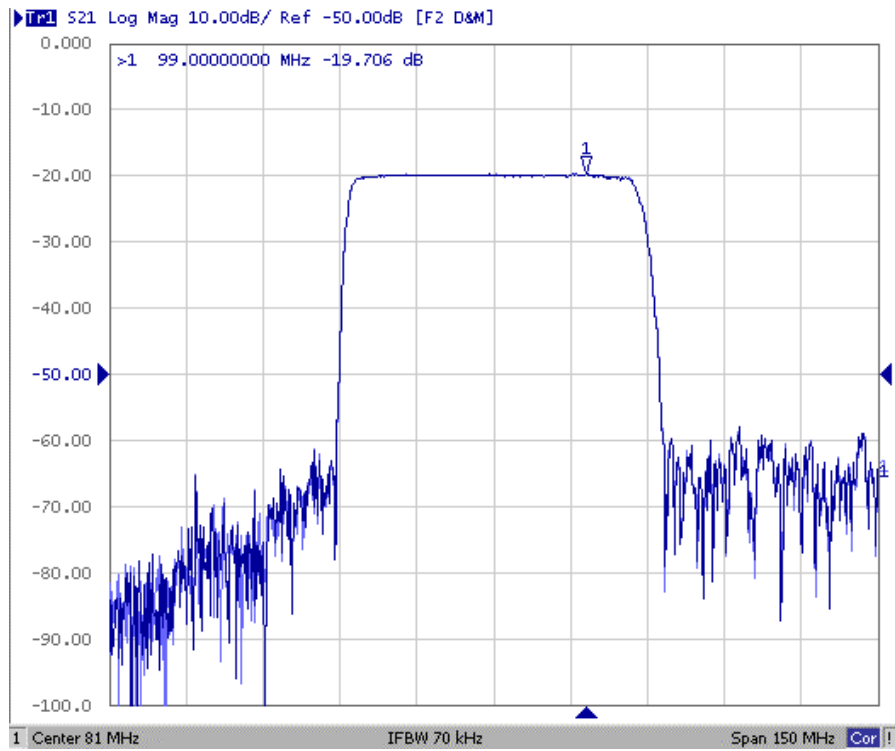


Fig1. Horizontal: 15MHz/Div Vertical: 10dB/Div

Passband Response:(span 60MHz)

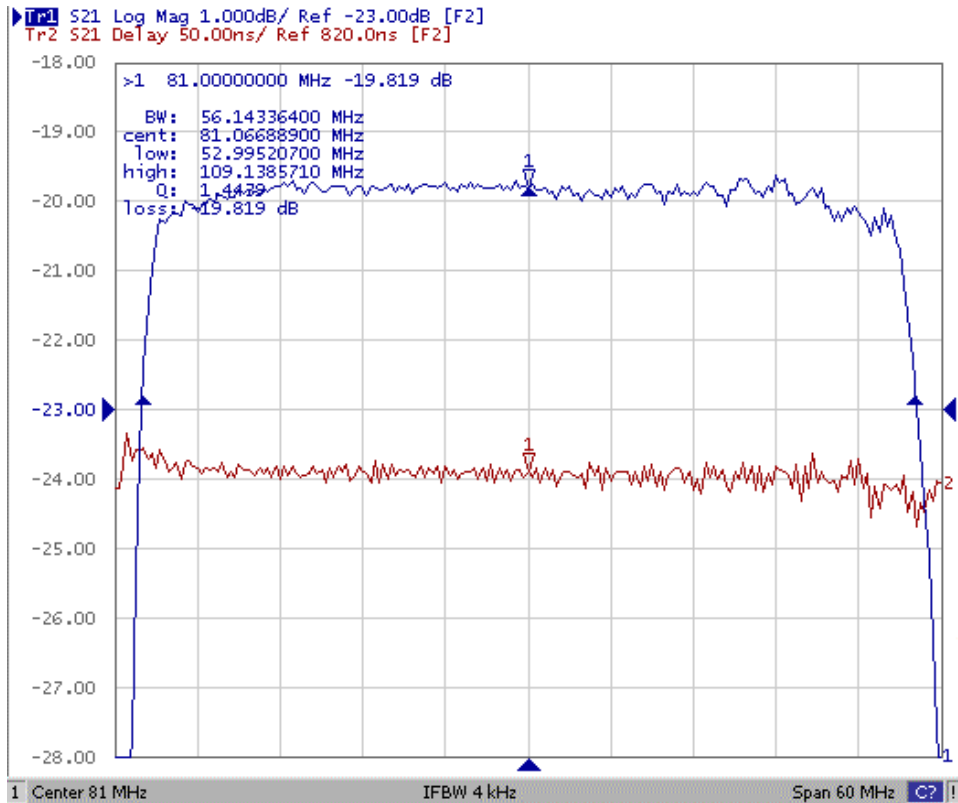
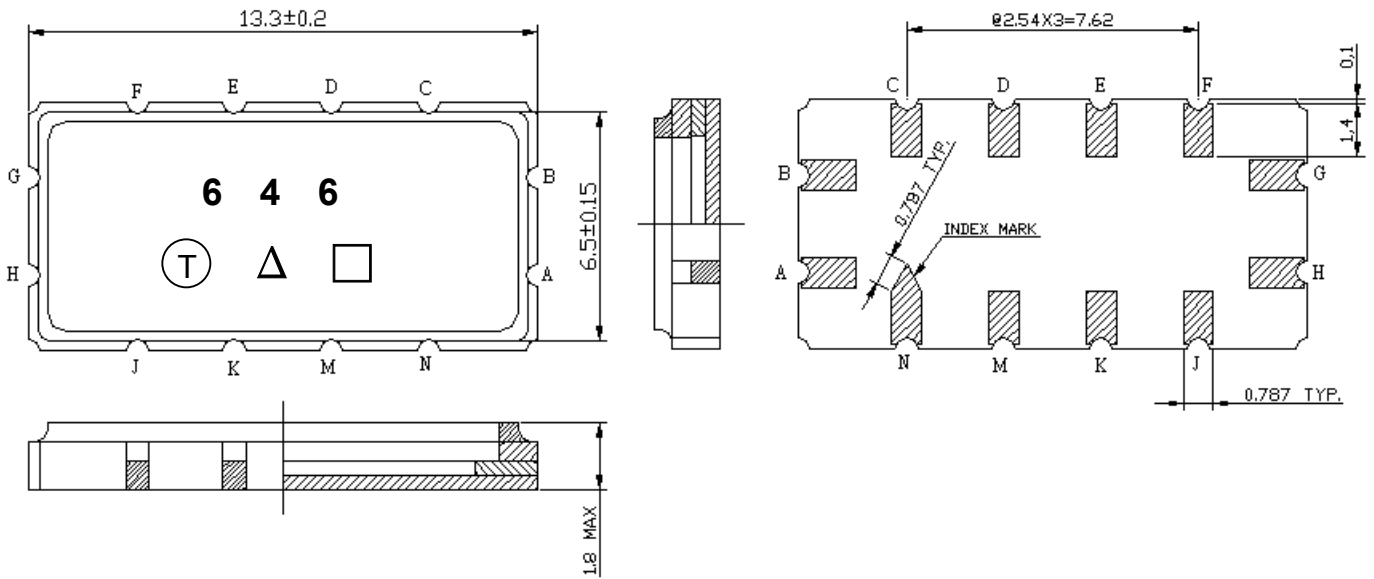


Fig2. Horizontal: 6MHz/Div Vertical 1: 1dB/Div  
Vertical 2: 50nS/Div

**D. Outline Drawing:**



Pin G: RF input

Pin A: RF output

Pin B, C, D, E, F, H, J, K, M, N: To be Ground

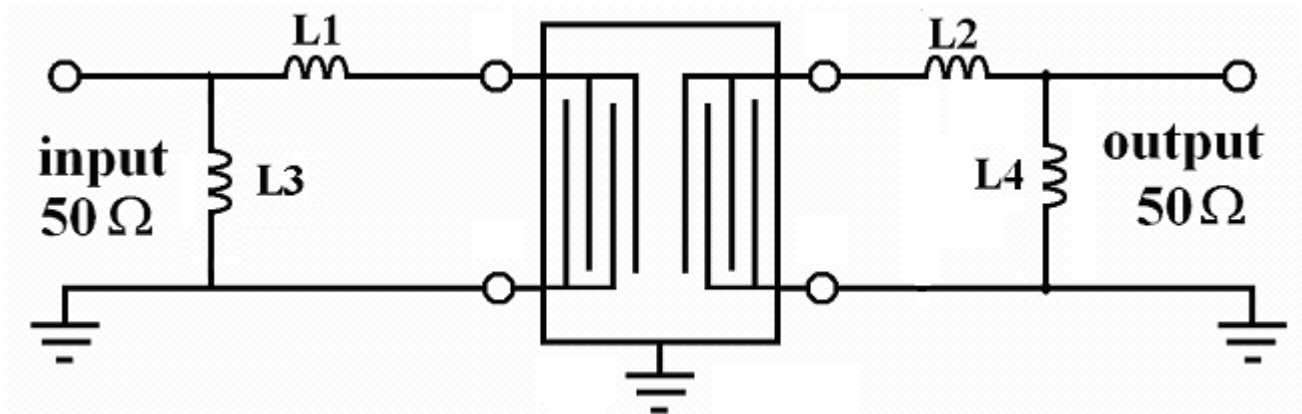
□: Week Code (Follow the table from planner each year)

Unit: mm

△ : Product / Year Code

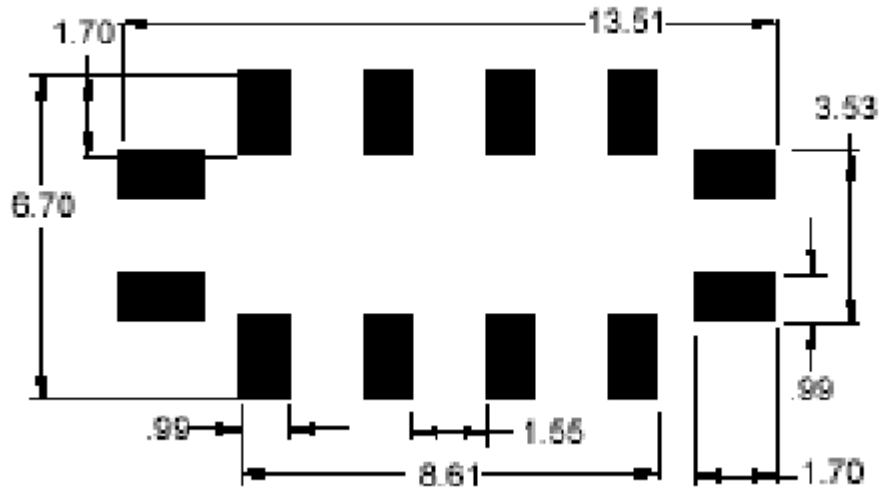
Year	2005 2009	2006 2010	2007 2011	2008 2012
Product Code	B	b	<u>B</u>	<u>b</u>

**E. Matching Circuit: 50 Ohm single ended Input - 50 Ohm single ended Output**



L1=27 nH; L2=27nH L3=180 nH; L4=180nH

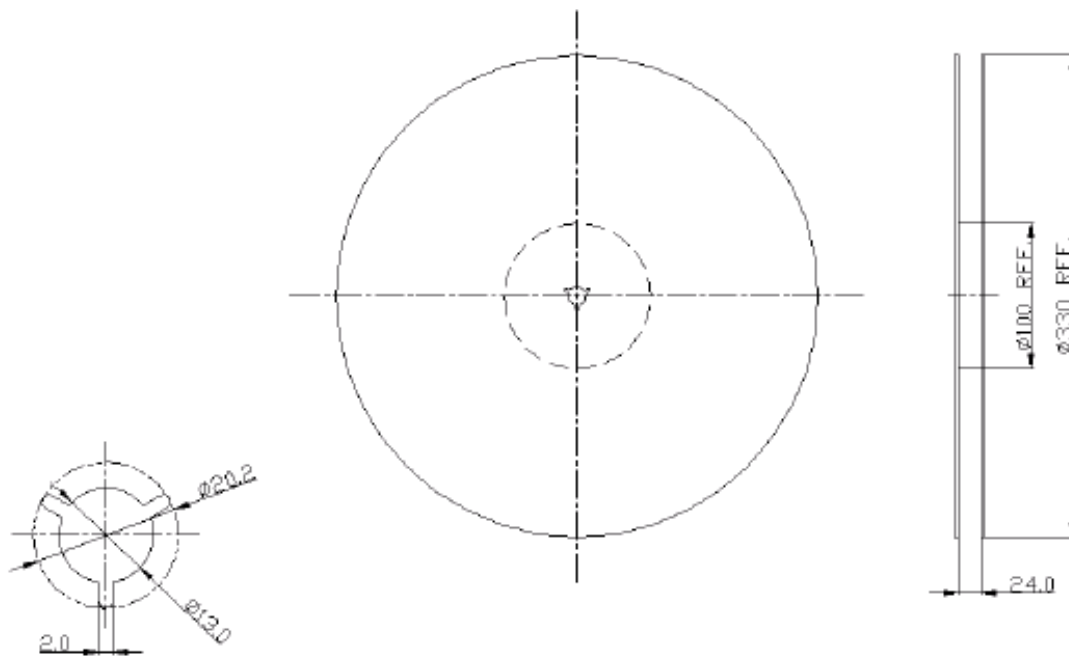
**F. PCB FOOTPRINT:**



Unit: mm

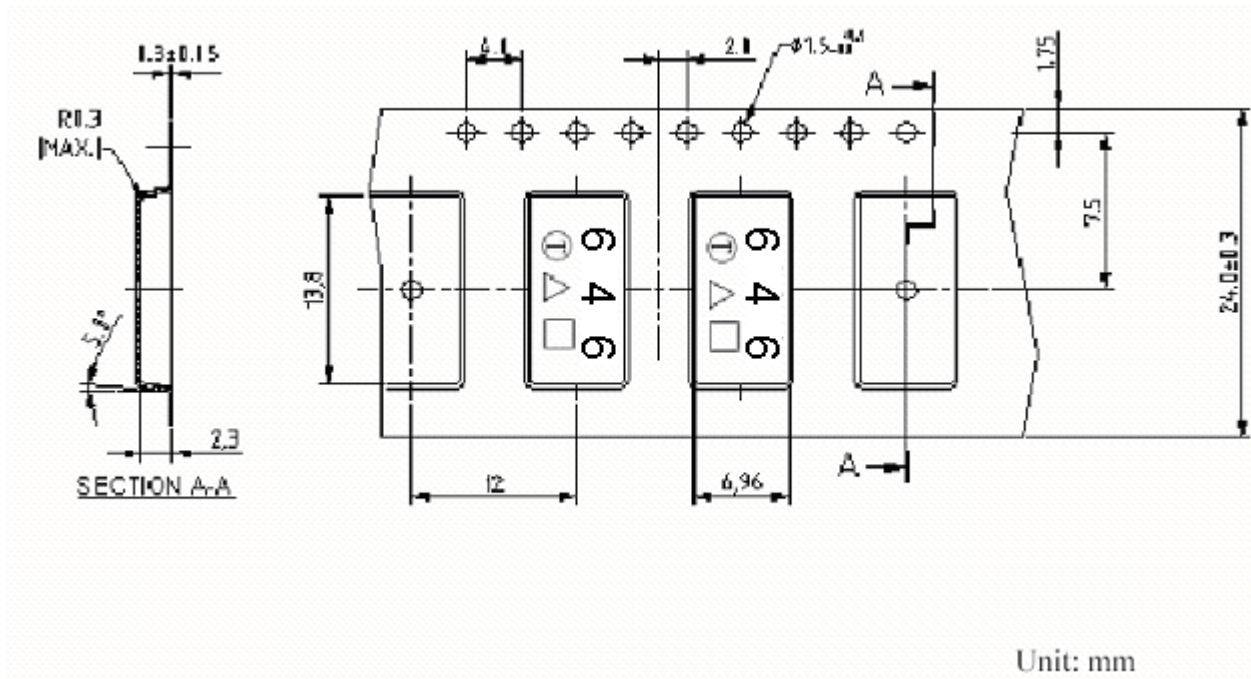
**G. PACKING:**

1. REEL DIMENSION



Unit: mm

## 2. TAPE DIMENSION



## H. RECOMMENDED REFLOW PROFILE :

