



TAI-SAW TECHNOLOGY CO., LTD.

No. 3, Industrial 2nd Rd., Ping-Chen Industrial District,
Taoyuan, 324, Taiwan, R.O.C.

TEL: 886-3-4690038 FAX: 886-3-4697532

E-mail: tstsales@mail.taisaw.com Web: www.taisaw.com

Approval Sheet For Product Specification

Issued Date: Jul, 15, 2008

Product Name: SAW Filter 740 MHz SMD 3.8X3.8 mm

TST Parts No.: TA0882A

Customer Parts No.: _____

Company: _____
Division: _____
Approved by : _____
Date: _____

Checked by: _____ Bob Chau *Bob Chau*

Approval by: _____ Francis Chen *Francis Chen*

Date: _____ 7, 15, 2008



TAI-SAW TECHNOLOGY CO., LTD.

No. 3, Industrial 2nd Rd., Ping-Chen Industrial District,
Taoyuan, 324, Taiwan, R.O.C.

TEL: 886-3-4690038 FAX: 886-3-4697532

E-mail: tstsales@mail.taisaw.com Web: www.taisaw.com

SAW Filter 740 MHz

MODEL NO.:TA0881A

REV. NO.:1

A. MAXIMUM RATING:

1. Input Power Level: 12 dBm
2. DC Voltage : 3V
3. Operating Temperature: -20°C to +75°C
4. Storage Temperature: -40°C to +85°C

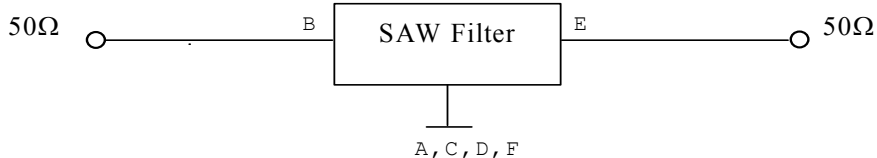
RoHS Compliant
Lead free
Lead-free soldering

B. ELECTRICAL CHARACTERISTICS:

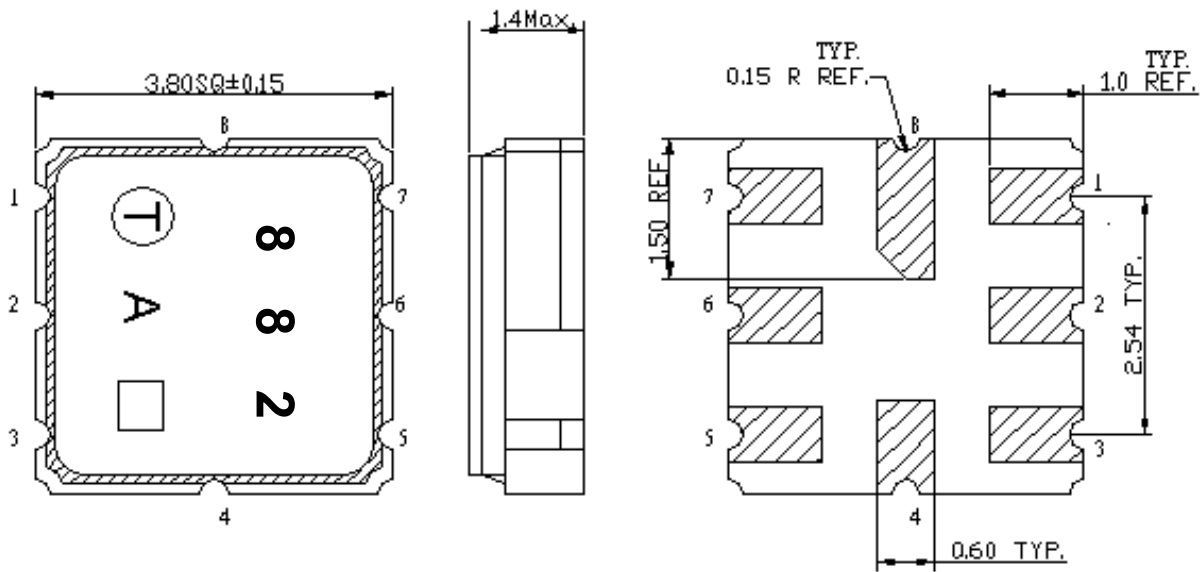
Item	Unit	Min.	Typ.	Max.	Note
Center Frequency F_c	MHz	-	740	-	-
Insertion loss (734~746MHz) IL	dB	-	1.6	4.5	-
Amplitude Ripple (734 ~ 746 MHz)	dB	-	0.7	2	-
Group Delay Variation (734~746 MHz)	ns	-	20	45	-
Attenuation (Reference level from 0 dB)					
0 ~ 643 MHz	dB	37	43.5	-	-
643 ~ 693 MHz	dB	37	45	-	-
693 ~ 716 MHz	dB	20	53	-	-
766 ~ 793 MHz	dB	35	51	-	-
793 ~ 843 MHz	dB	40	47	-	-
843 ~ 1000 MHz	dB	38	47	-	-
1000 ~ 1500 MHz	dB	25	47	-	-
Temperature Coefficient of Frequency	Ppm/°C	-	-35	-	-

C. MEASUREMENT CIRCUIT:

HP Network analyzer

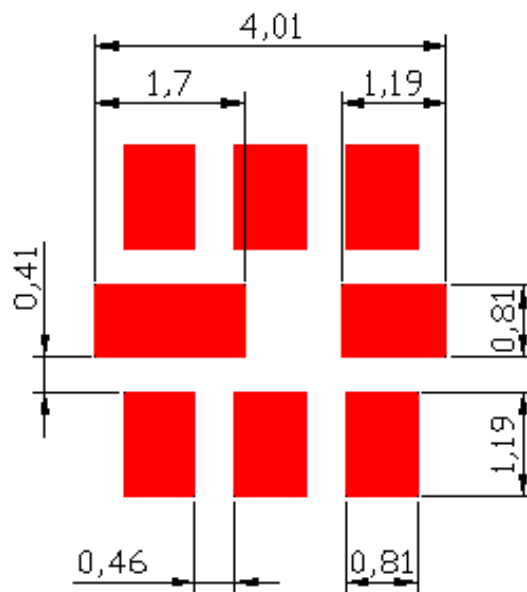


D.OUTLINE DRAWING:

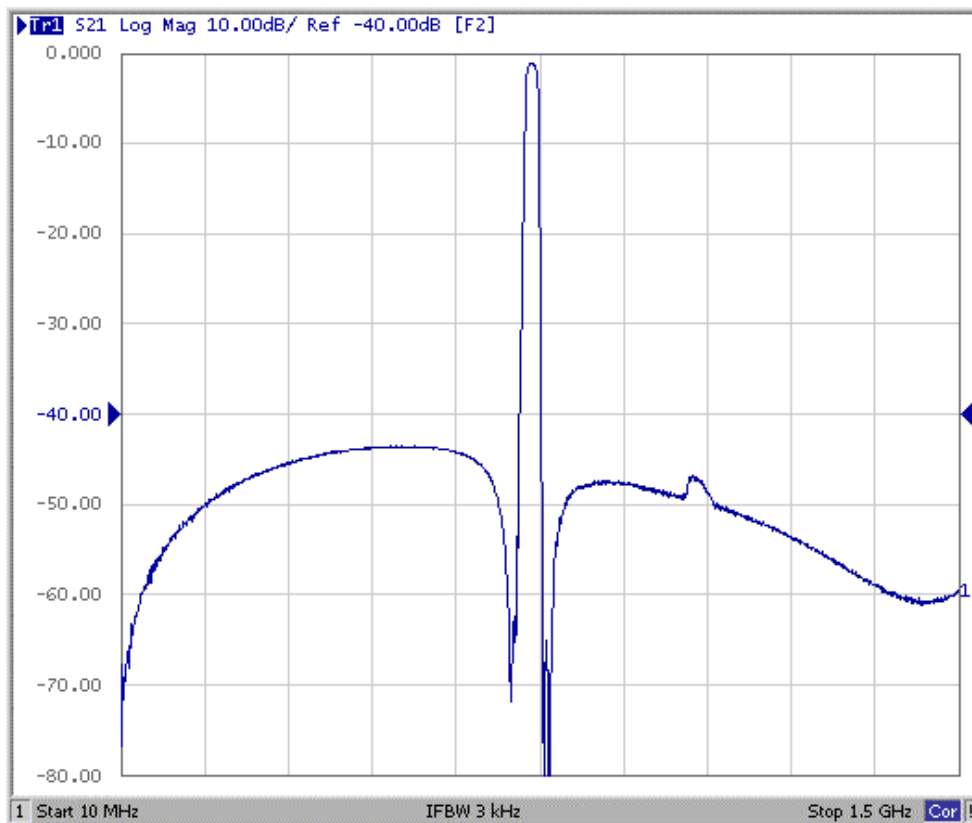
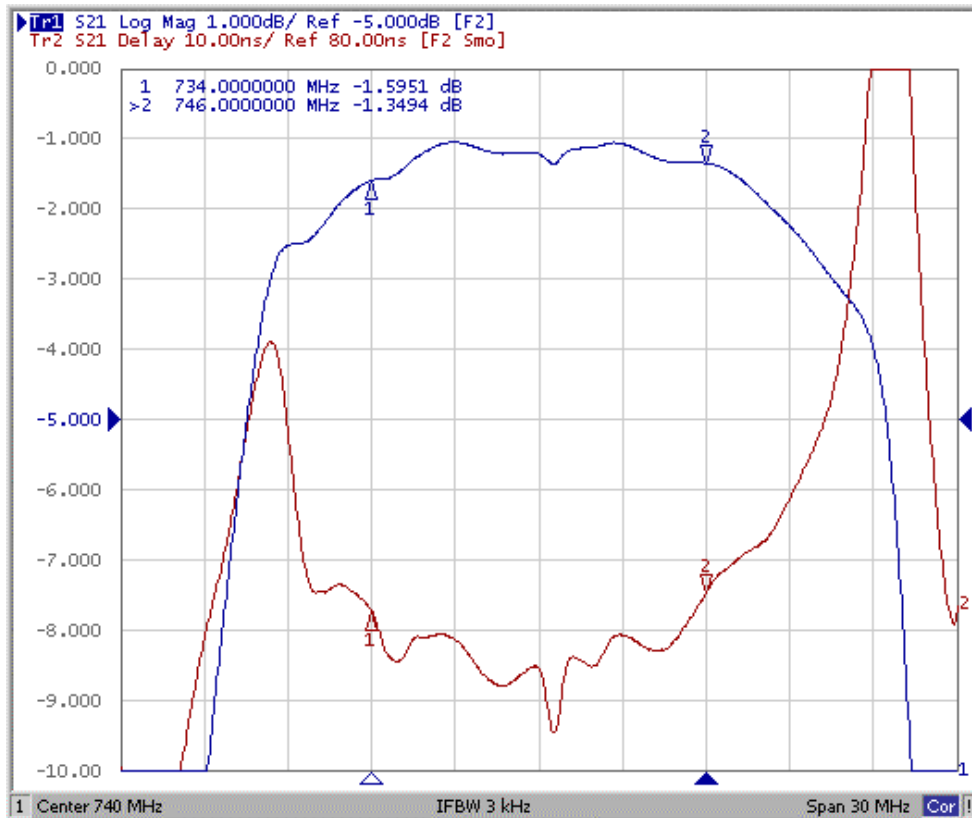


- 2 : Input
- 6: Output
- 1,3,4,5,7,8: Ground
- : Date Code (W01->A, W02->B,...W52->z)
- Unit: mm

E. PCB Footprint:

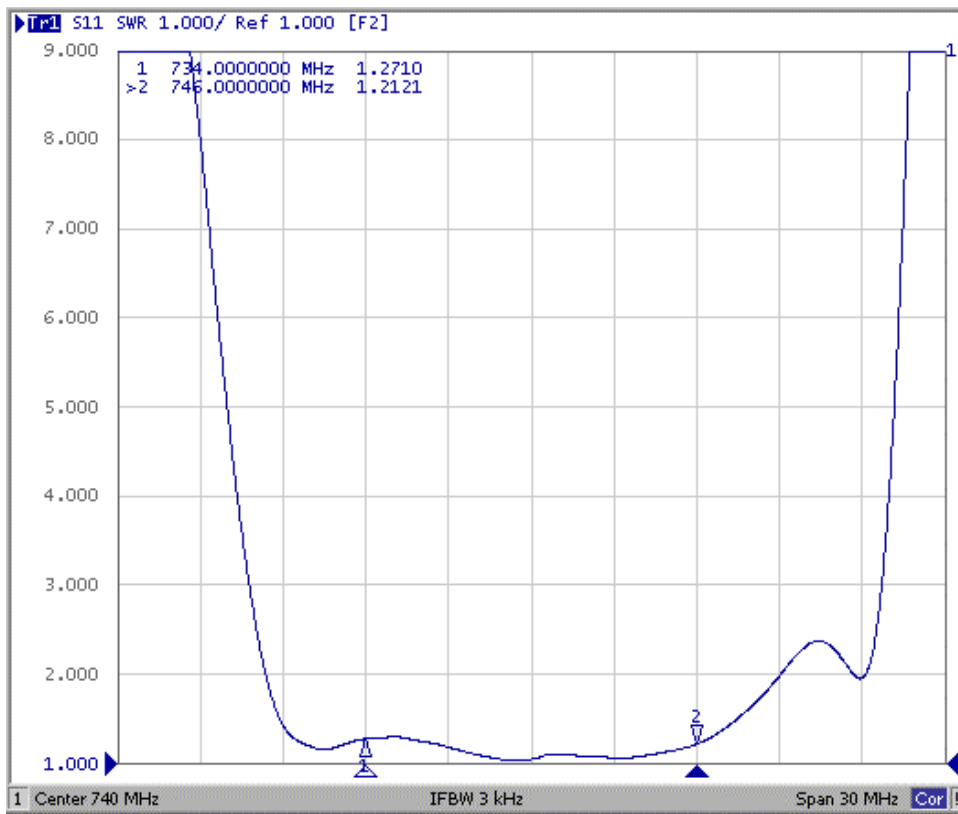


F. Frequency Characteristics :

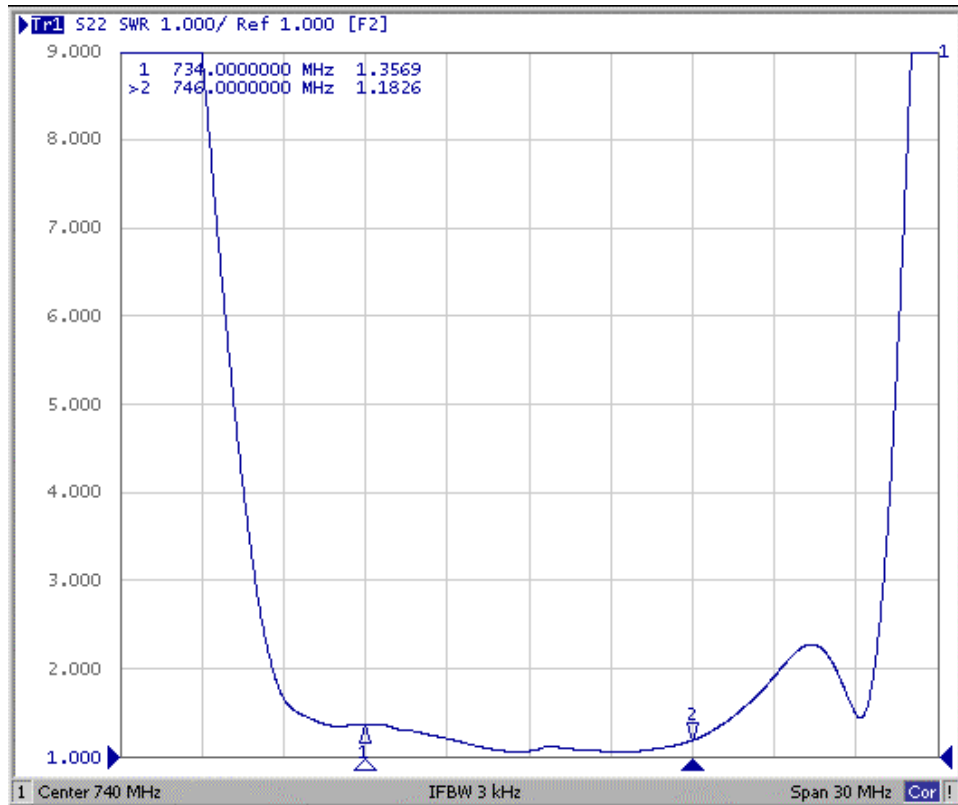


Reflection Functions :

S11



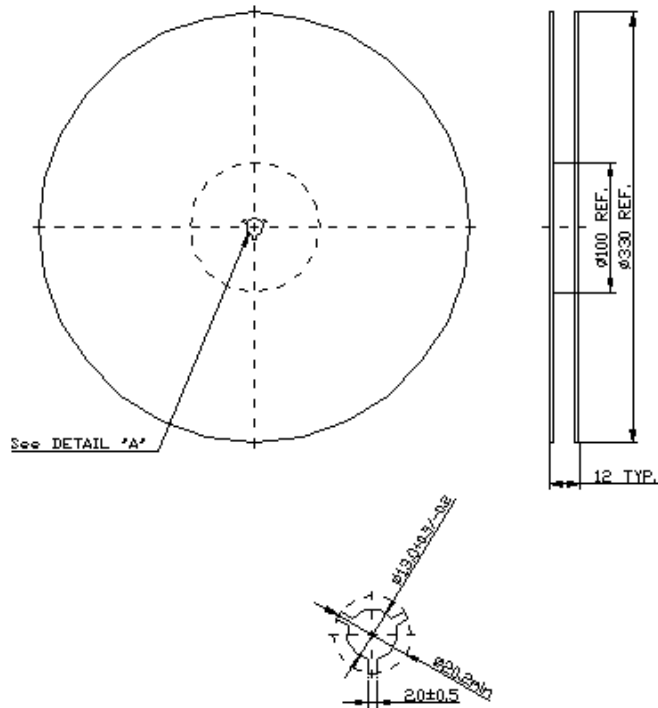
S22



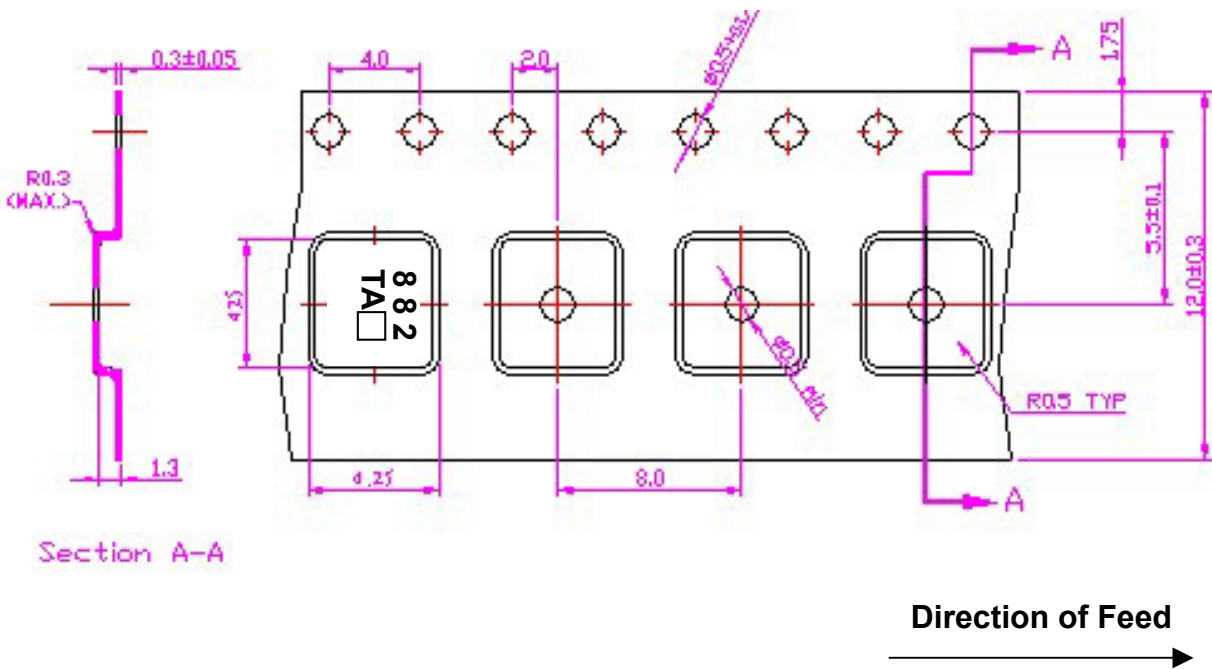
G. PACKING:

1. REEL DIMENSION

(Reel Count : 7"=1000 ; 13"=3000)



2.TAPE DIMENSION



Section A-A

Direction of Feed

H. RECOMMENDED REFLOW PROFILE :

