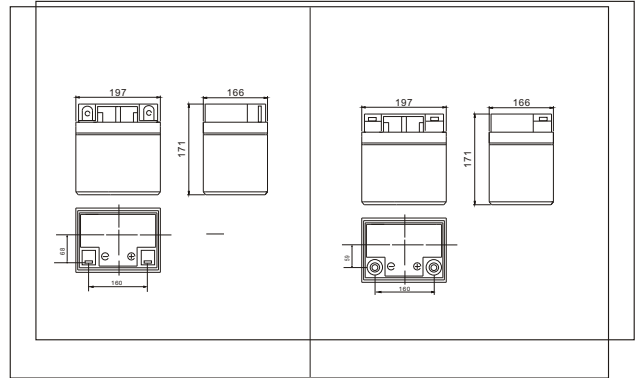




SW12440(12V44AH)



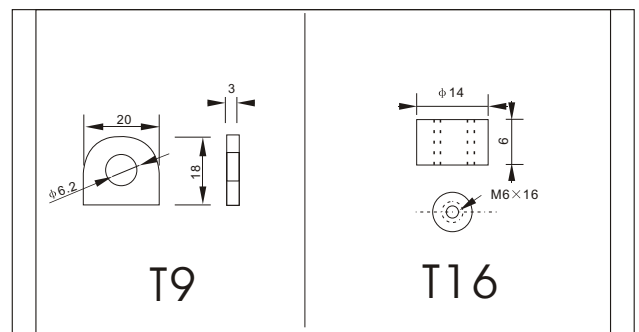
Outer dimensions (mm)



Specifications

Nominal Voltage	12V	
Rated capacity (10 hour rate)	44 Ah	
Dimensions	Total Height	171 mm (6.73 inches)
	Height	171 mm (6.73 inches)
	Length	196 mm (7.70 inches)
	Width	166mm (6.54 inches)
Weight Approx	13.8 Kg (30.4 lbs)	

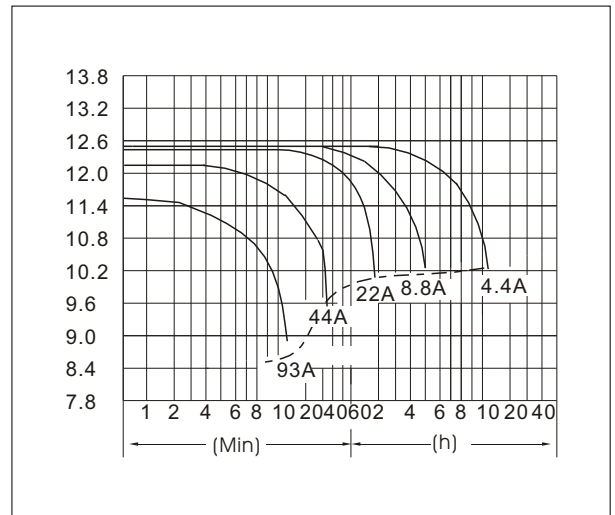
Terminal Type (mm)



Characteristics

Capacity 25°C(77°F)	10 hour rate(4.4A)	44.0 AH
	5 hour rate(7.0A)	35.0 AH
	1 hour rate(26.4A)	26.4 AH
	1.5 hour discharge to 10.5V	17.6 A
Internal Resistance	Full charged Battery at 25°C(77°F)	7.8 mΩ
Capacity affected by Temperature (10hour rate)	40°C(104°F)	102%
	25°C(77°F)	100%
	0°C(32°F)	85%
	-15°C(5°F)	65%
Self-Discharge at 25°C(77°F)	Capacity after 3 month storage	91%
	Capacity after 6 month storage	82%
	Capacity after 12 month storage	64%
Terminal	T7, T16 T9	
Charge (constant Voltage)	Cycle	Initial Charging Current less than 17.6 A Voltage 14.10-14.40V
	Float	Voltage 13.50-13.80V

Discharge Curves 25°C(77°F)



Constant Current(Amp) and Constant Power(Watt) Discharge Table at 25°C(77°F)

Time		10min	30min	1h	2h	3h	4h	5h	8h	10h	20h
9.60V	A	93	50	26	15	11.3	8.8	7.3	5.1	4.6	2.49
	W	1031	537	306	178	131	102	84	59	53	28.9
10.20V	A	90	49	24.8	14.7	11.0	8.6	7.1	5.0	4.5	2.43
	W	992	532	287	170	127	99	83	58	52	28.2
10.50V	A	86	46	24	14.3	10.7	8.4	7.0	5.0	4.4	2.40
	W	961	502	278	166	124	98	82	58	52	27.8
10.80V	A	81	45	23	14.0	10.5	8.3	6.9	4.8	4.3	2.38
	W	924	484	266	163	122	96	80	56	51	27.7
11.10V	A	74	41	22	13.6	10.1	8.1	6.7	4.7	4.18	2.26
	W	908	480	259	162	120	95	80	56	50	26.9