

Series NH (SCSI-3)  
90° Solder Dip Socket (1.27mm Pitch, Screw Lock)

Specifications

Insulation Resistance: 1,000MΩ min. at 500 V DC  
 Withstanding Voltage: 500V ACrms for 1 minute  
 Contact Resistance: 30mΩ max. at 10mA  
 Current Rating: 0.5A  
 Operating Temp. Range: -55°C to +85°C  
 Soldering Temp.: 260°C / 3 sec.



Materials and Finish

Housing: PBT (glass filled), UL94V-0  
 Contacts: Copper Alloy  
 Plating: Mating Face - Au over Nickel  
 Solder Terminals - Flash Au over Nickel

Features

- Half pitch interface connector with SCSI-II pin type contacts

Part Number (Details)

NHS 068 SZ - 002 - BF \*

Series (socket)

No. of Leads

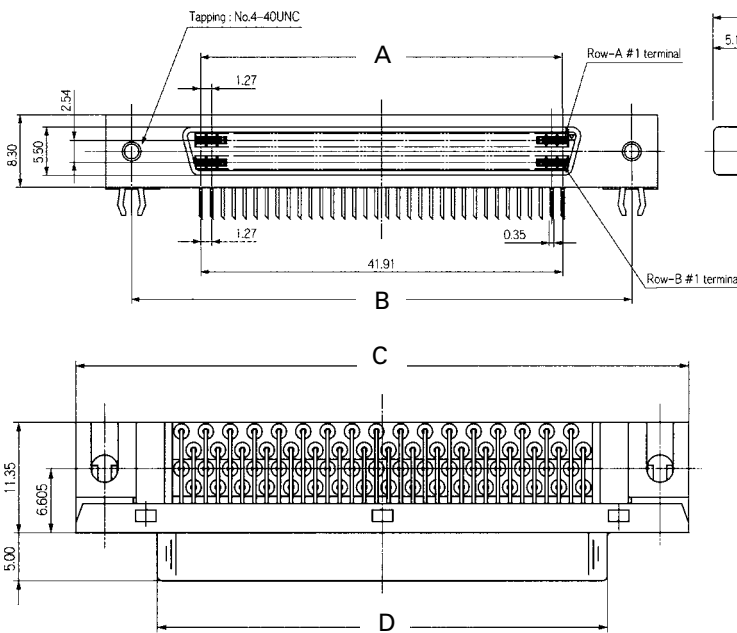
Mating Face Lock Type:  
S = Screw Lock

Terminal Type:  
2 = 90° Solder Dip

Contact Plating:  
B = Mating Face Contacts - Au (0.3μm min.) over Ni  
F = Solder Terminals - Flash Au over Ni

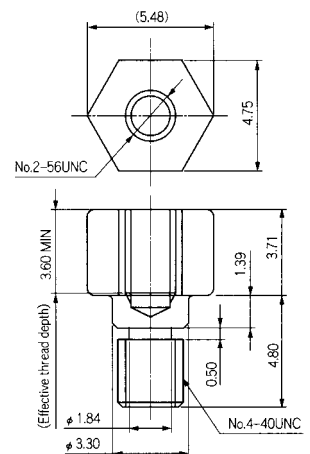
Tapping Dimensions: 0 = 4-40UNC  
1 = 2-56UNC

Outline Socket Dimensions



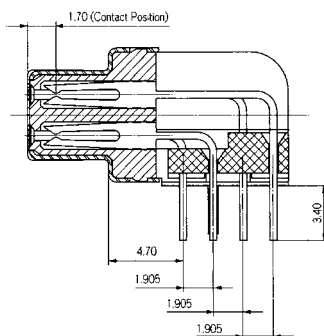
Screw Lock Bracket (optional)

Part No. NHS-01#NT

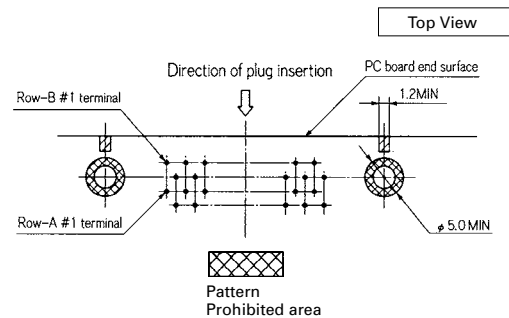


Note:  
NHS068SZ-002-BF\* is supplied without a screw lock bracket (NHS-01#NT) which is available separately

Contact Details



Recommended PCB Layout



Standard types

Part Number	No. of Leads	A	B	C	D
NHS068SZ-002-BF0	68	41.91	57.93	63.93	46.13

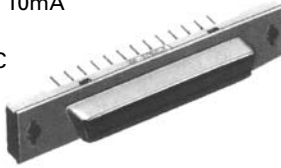
For the following versions below please contact Yamaichi, minimum order quantity may be required

NHS068SZ-002-BF1	68	41.91	57.93	63.93	46.13
------------------	----	-------	-------	-------	-------

## Series NH (SCSI-3) 180° Solder Dip Socket (1.27mm Pitch, Screw Lock)

### Specifications

Insulation Resistance: 1,000MΩ min. at 500V DC  
 Withstanding Voltage: 500V ACrms for 1 minute  
 Contact Resistance: 30mΩ max. at 10mA  
 Current Rating: 0.5A  
 Operating Temp. Range: -55°C to +85°C  
 Soldering Temp.: 260°C / 3 sec.



### Materials and Finish

Housing: PBT (glass filled), UL94V-0  
 Contacts: Copper Alloy  
 Plating: Mating Face - Au over Nickel  
 Solder Terminals - Flash Au over Nickel

### Features

- Half pitch interface connectors with SCSI-II pin type

### Part Number (Details)

**NHS 068 S - 004 - BF \***

Series (socket)

No. of Leads

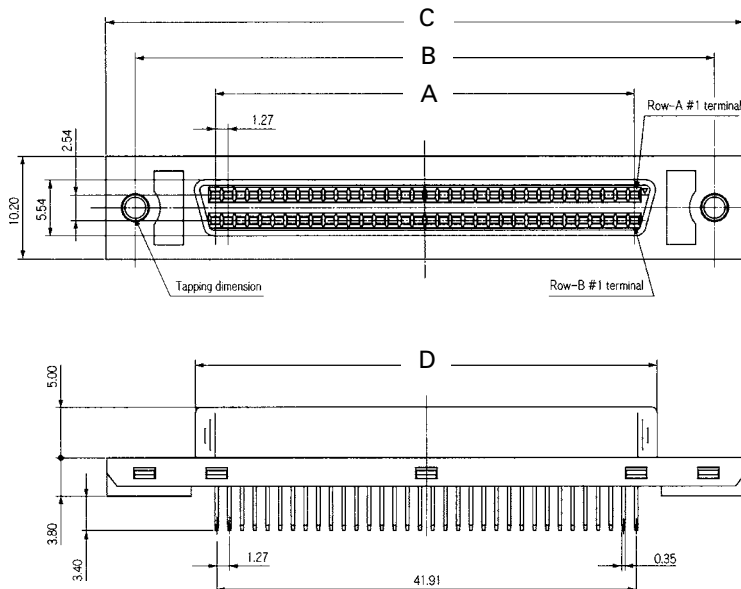
Mating Face Lock Type:  
S = Screw Lock

Terminal Type:  
4 = 180° Solder Dip

Contact Plating:  
B = Mating Face Contacts - Au (0.3μm min.) over Ni  
F = Solder Terminals - Flash Au over Ni

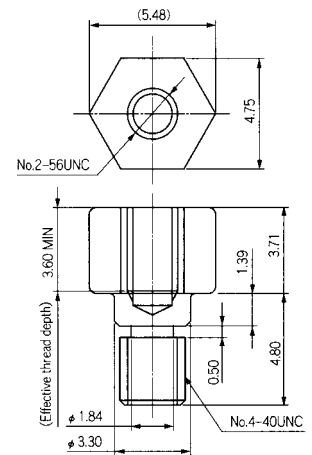
Tapping Dimensions: 0 = 4-40UNC  
1 = 2-56UNC

### Outline Socket Dimensions



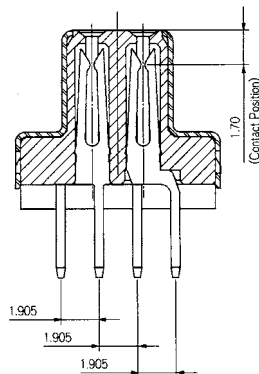
### Screw Lock Bracket (optional)

Part No. NHS-01#NT

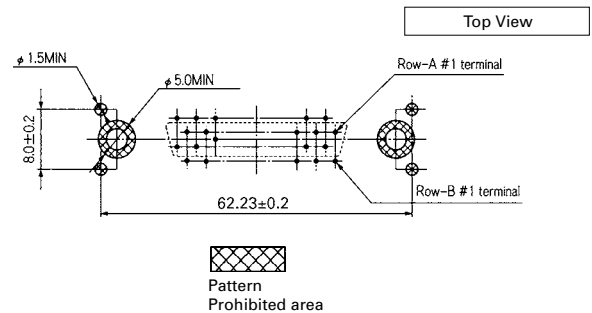


**Note:**  
NHS068S-004-BF\* is supplied without a screw lock bracket (NHS-01#NT) which is available separately

### Contact Details



### Recommended PCB Layout



### Standard types

Part Number	No. of Leads	A	B	C	D
NHS068S-004-BF0	68	41.91	57.93	63.83	46.13

For the following versions below please contact Yamaichi, minimum order quantity may be required

NHS068S-004-BF1	68	41.91	57.93	63.93	46.13
-----------------	----	-------	-------	-------	-------