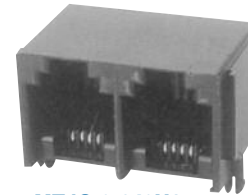
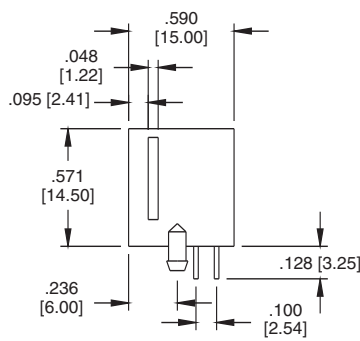
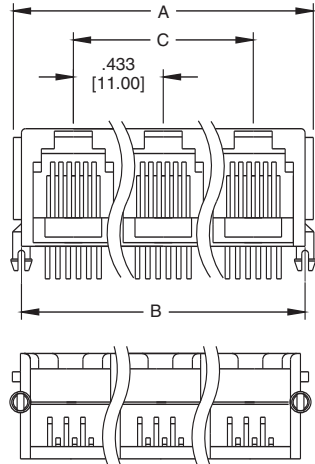
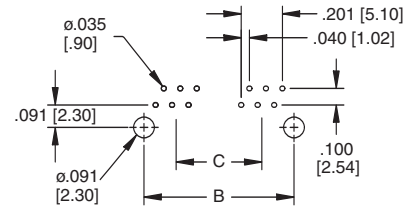


Ordering Information pg. 31

TYPE 2
6P4C
6P6C

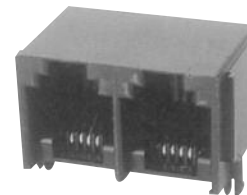
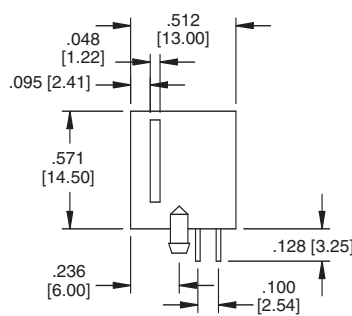
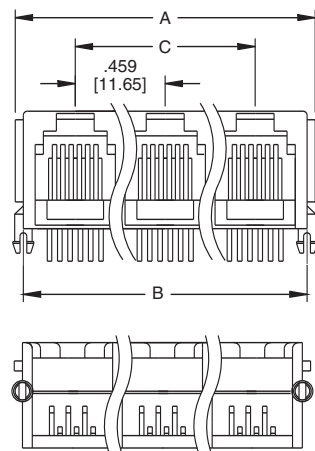


MTJG-2-642X1

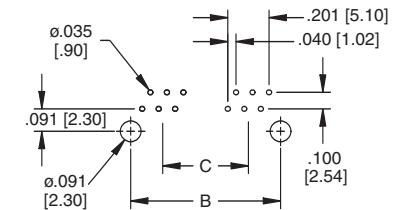


Recommended PCB Layout

A = .433 [11.00] x No. of Ports + .100 [2.54]
 B = .433 [11.00] X No of Ports + .020 [0.50]
 C = .433 [11.00] x No of Ports - 1

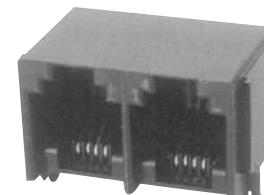
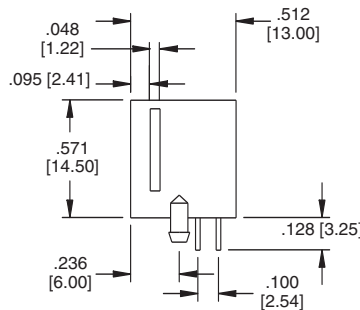
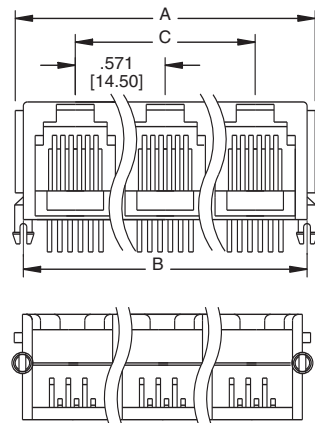


MTJG-2-642BX1

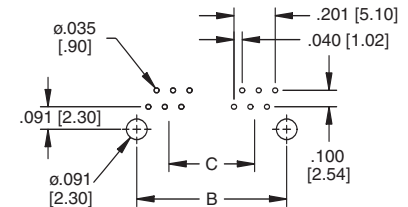


Recommended PCB Layout

A = .459 [11.65] x No. of Ports + .100 [2.54]
 B = .459 [11.65] X No of Ports + .020 [0.50]
 C = .459 [11.65] x No of Ports - 1



MTJG-2-642CX1



Recommended PCB Layout

A = .571 [14.50] x No. of Ports + .100 [2.54]
 B = .571 [14.50] X No of Ports + .020 [0.50]
 C = .571 [14.50] x No of Ports - 1