



Micro Commercial Components

Micro Commercial Components  
 20736 Marilla Street Chatsworth  
 CA 91311  
 Phone: (818) 701-4933  
 Fax: (818) 701-4939

# MMBT5551

## NPN Plastic Encapsulate Transistor

### Features

- Collector Current:  $I_{CM}=0.6A$
- Collector-Base Voltage:  $V_{(BR)CBO}=180V$
- Operating And Storage Temperatures  $-55^{\circ}C$  to  $150^{\circ}C$
- Capable of 0.3Watts of Power Dissipation
- Marking: G1
- Case Material: Molded Plastic. UL Flammability Classification Rating 94-0 and MSL Rating 1

### Electrical Characteristics @ 25°C Unless Otherwise Specified

Symbol	Parameter	Min	Max	Units
--------	-----------	-----	-----	-------

#### OFF CHARACTERISTICS

$V_{(BR)CEO}$	Collector-Emmitter Breakdown Voltage ( $I_C=1.0mA$ , $I_B=0$ )	160	---	Vdc
$V_{(BR)CBO}$	Collector-Base Breakdown Voltage ( $I_C=100\mu A$ , $I_E=0$ )	180	---	Vdc
$V_{(BR)EBO}$	Emmitter-Base Breakdown Voltage ( $I_E=10\mu A$ , $I_C=0$ )	6.0	---	Vdc
$I_{CBO}$	Collector Cutoff Current ( $V_{CB}=120Vdc$ , $I_E=0$ )	---	0.1	$\mu A$
$I_{EBO}$	Emmitter Cutoff Current ( $V_{EB}=4.0Vdc$ , $I_C=0$ )	---	0.1	$\mu A$

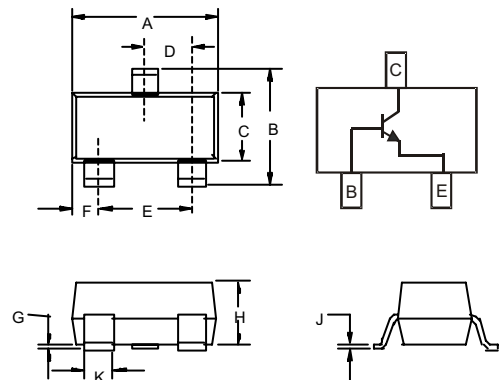
#### ON CHARACTERISTICS

$h_{FE-1}$	DC Current Gain ( $V_{CE}=5.0Vdc$ , $I_C=1.0mA$ )	80	---	---
$h_{FE-2}$	DC Current Gain ( $V_{CE}=5.0Vdc$ , $I_C=10mA$ )	100	200	---
$h_{FE-3}$	DC Current Gain ( $V_{CE}=5.0Vdc$ , $I_C=50mA$ )	50	---	---
$V_{CE(sat)}$	Collector-Emmitter Saturation Voltage ( $I_C=50mA$ , $I_B=5.0mA$ )	---	0.5	Vdc
$V_{BE(sat)}$	Base-Emmitter Saturation Voltage ( $I_C=50mA$ , $I_B=5.0mA$ )	---	1.0	Vdc

#### SMALL-SIGNAL CHARACTERISTICS

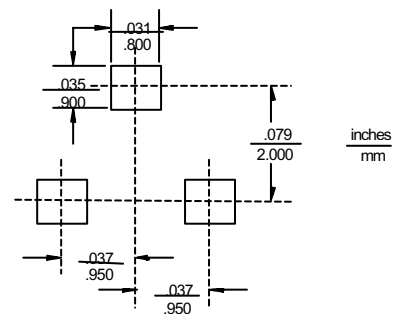
$f_T$	Current Gain-Bandwidth Product ( $I_C=10mA$ , $V_{CE}=5.0Vdc$ , $f=30MHz$ )	100	---	MHz
-------	--	-----	-----	-----

### SOT-23



DIM	INCHES		MM		NOTE
	MIN	MAX	MIN	MAX	
A	.110	.120	2.80	3.04	
B	.083	.098	2.10	2.64	
C	.047	.055	1.20	1.40	
D	.035	.041	.89	1.03	
E	.070	.081	1.78	2.05	
F	.018	.024	.45	.60	
G	.0005	.0039	.013	.100	
H	.035	.044	.89	1.12	
J	.003	.007	.085	.180	
K	.015	.020	.37	.51	

### Suggested Solder Pad Layout





Micro Commercial Components

## Ordering Information

Device	Packing
(Part Number)-TP	Tape&Reel;3Kpcs/Reel

### \*\*\*IMPORTANT NOTICE\*\*\*

*Micro Commercial Components Corp.* reserves the right to make changes without further notice to any product herein to make corrections, modifications, enhancements, improvements, or other changes. *Micro Commercial Components Corp.* does not assume any liability arising out of the application or use of any product described herein; neither does it convey any license under its patent rights, nor the rights of others. The user of products in such applications shall assume all risks of such use and will agree to hold *Micro Commercial Components Corp.* and all the companies whose products are represented on our website, harmless against all damages.

### \*\*\*APPLICATIONS DISCLAIMER\*\*\*

Products offer by *Micro Commercial Components Corp.* are not intended for use in Medical, Aerospace or Military Applications.