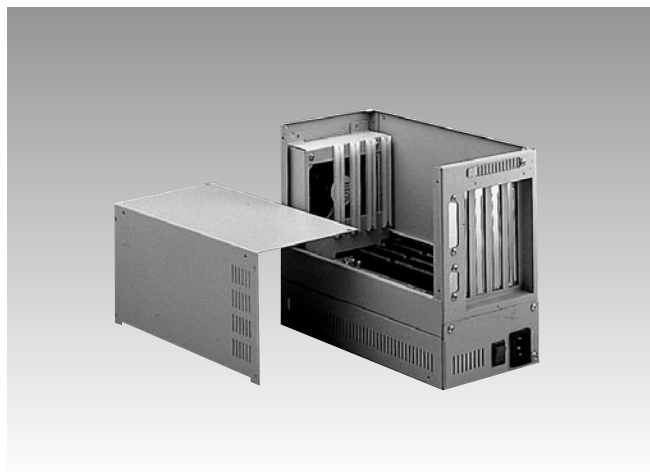


# MBPC-641

## 4-slot MicroBox Desktop/Wallmount Chassis with Open Frame AC, DC Power Supply



### Features

- Ultra-compact wallmount/desktop IPC chassis
- Equipped with a 4-slot ISA or PCI backplane to hold 4 half-sized cards
- Two (9-pin and 25-pin) I/O ports
- Power on switch with connector
- One 53-CFM cooling fan with air filter
- Replaceable and easy to clean fan filters
- 60 W AC and DC power supply options



### Introduction

The MBPC-641 MicroBox IPC chassis is an ultra-compact 4-slot IPC chassis for embedded control systems or other limited-space applications. Its small size and rugged design make it excellent for vending machines, mobile computer systems, and unattended controllers. The MBPC-641 provides the necessary framework for building a complete PC control system. It supports most half-size CPU cards, and is equipped with a mounting panel for special connectors or cable extensions. In addition, the MBPC-641 reserves one RS-232 port and one parallel port. Also included is a 65-watt power supply with power On/Off switch.

### Specifications

▪ <b>Cooling</b>	CFM	1 (53 CFM/each)
	Filter	Yes
▪ <b>Miscellaneous</b>	Slot	4 x ISA slots, half-size
▪ <b>Environment</b>	Temperature	0 ~ 40° C (32 ~ 104° F), operating
	Humidity	10 ~ 85 % @ 40° C, non-condensing
▪ <b>Physical</b>	Dimensions (W x H x D)	114 x 197 x 245 mm (4.5" x 7.8" x 9.6")
	Weight	2.8 kg (6 lb)

### Passive Backplane Options

B/P Model Name	Slot per Segment (ISA/PCI/CPU)	Segment
▪ 969K610430	4-slot ISA	Single
▪ 969K610450	4-slot PCI	Single

### Power Supply Options

Part Number	Watt	Input	Specifications Output	Mini-load	Safety	MTBF
▪ PS-65	65 W	AC 85 ~ 264 V	+5 V @ 5 A, +12 V @ 1.7 A, -12 V @ 1.7 A	--	UL/CSA/CE/TUV	50,000 hours
▪ OP-60P	60 W	AC 90V ~ 264 V	+5 V @ 5 A, +12 V @ 2.3 A, -12 V @ 0.5 A	+5 V @ 0 A, +12 V @ 0 A, -12 V @ 0 A	UL/CSA/TUV	--
▪ OP-60P-D24	60 W	DC 18 V ~ 32 V	+5 V @ 6 A, +12 V @ 2.5 A, -12 V @ 0.3 A	+5 V @ 0 A, +12 V @ 0 A, -12 V @ 0 A	--	--
▪ OP-60P-D48	60 W	DC 36 V ~ 72 V	+5 V @ 6 A, +12 V @ 2.5 A, -12 V @ 0.3 A	+5 V @ 0 A, +12 V @ 0 A, -12 V @ 0 A	--	--

### Ordering Information

Part Number	With Power Supply	With Backplane	Regulation
▪ MBPC-641	PS-65	PCA-6104	CE
▪ MBPC-641P4	PS-65	9692810020	CE
▪ MBPC-641BP-60	OP-60P	--	UL/cUL/CE
▪ MBPC-641BP-D24	OP-60P-D24	--	CE
▪ MBPC-641BP-D48	OP-60P-D48	--	CE

