

PA511 / SMPA511

Cascadable Amplifier
10 to 500 MHz

Rev. V2

Features

- HIGH POWER OUTPUT +24.8 dBm (TYP.)
- HIGH THIRD ORDER IP3 +40 dBm (TYP.)
- MODERATE NOISE FIGURE 4.6 dB (TYP.)

Description

The PA511 RF amplifier is a discrete thin film hybrid design, which incorporates the use of thin film manufacturing processes for accurate performance and high reliability.

This single stage bipolar transistor feedback amplifier design displays impressive performance over a broadband frequency range. An active DC biasing network is used for temperature-stable performance, in addition to an RF Choke, used for power supply decoupling.

Both TO-8 and Surface Mount packages are hermetically sealed, and MIL-STD-883 environmental screening is available.

Ordering Information

| Part Number | Package |
|--------------------|----------------------|
| PA511 | TO-8 |
| SMPA511 | Surface Mount |
| MAAP-008739-CPA511 | SMA Connectorized ** |

** The connectorized version is not RoHs compliant.

Product Image



Electrical Specifications: $Z_0 = 50\Omega$, $V_{CC} = +15 V_{DC}$

| Parameter | Units | Typical | Guaranteed | |
|---------------------------------|-------|---------------|---------------|----------------|
| | | 25°C | 0° to 50°C | -54° to +85°C* |
| Frequency | MHz | 5-600 | 10-500 | 10-500 |
| Small Signal Gain (min) | dB | 12.7 | 11.5 | 11.0 |
| Gain Flatness (max) | dB | ±0.4 | ±0.5 | ±0.8 |
| Reverse Isolation | dB | 17 | | |
| Noise Figure (max) | dB | 4.6 | 5.0 | 5.5 |
| Power Output @ 1 dB comp. (min) | dBm | 24.8 | 23.5 | 23.0 |
| IP3 | dBm | +40 | | |
| IP2 | dBm | +55 | | |
| Second Order Harmonic IP | dBm | +60 | | |
| VSWR Input / Output (max) | | 1.3:1 / 1.4:1 | 1.8:1 / 1.8:1 | 2.0:1 / 2.1:1 |
| DC Current @ 15 Volts (max) | mA | 118 | 120 | 122 |

Absolute Maximum Ratings

| Parameter | Absolute Maximum |
|--|------------------|
| Storage Temperature | -62°C to +150°C |
| Case Temperature | 85°C |
| DC Voltage | +17 V |
| Continuous Input Power | +17 dBm |
| Short Term Input power (1 minute max.) | 100 mW |
| Peak Power (3 μsec max.) | 0.5 W |
| "S" Series Burn-In Temperature (case) | 85°C |

Thermal Data: $V_{CC} = +15 V_{DC}$

| Parameter | Rating |
|---|--------|
| Thermal Resistance θ_{jc} | °C/W |
| Transistor Power Dissipation P_d | W |
| Junction Temperature Rise Above Case T_{jc} | °C |

* Over temperature performance limits for part number CPA511, guaranteed from 0°C to +50°C only.

ADVANCED: Data Sheets contain information regarding a product M/A-COM Technology Solutions is considering for development. Performance is based on target specifications, simulated results, and/or prototype measurements. Commitment to develop is not guaranteed.

PRELIMINARY: Data Sheets contain information regarding a product M/A-COM Technology Solutions has under development. Performance is based on engineering tests. Specifications are typical. Mechanical outline has been fixed. Engineering samples and/or test data may be available. Commitment to produce in volume is not guaranteed.

• **North America** Tel: 800.366.2266 • **Europe** Tel: +353.21.244.6400
 • **India** Tel: +91.80.4155721 • **China** Tel: +86.21.2407.1588
 Visit www.macomtech.com for additional data sheets and product information.

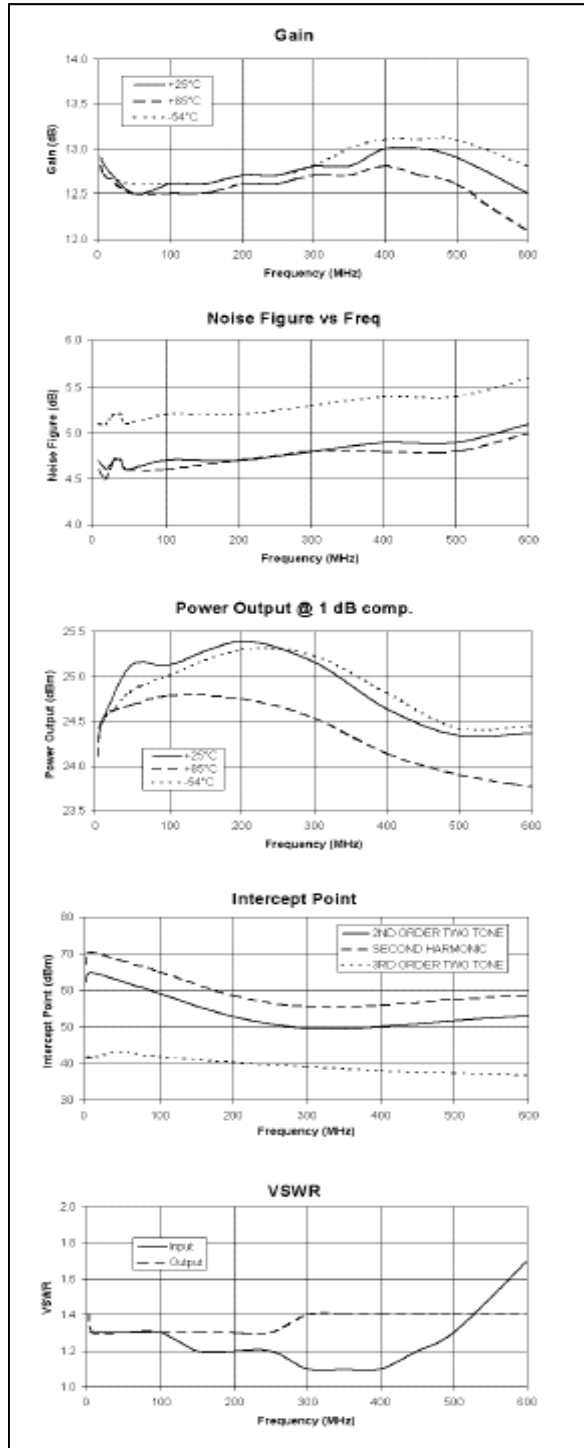
M/A-COM Technology Solutions Inc. and its affiliates reserve the right to make changes to the product(s) or information contained herein without notice.

PA511 / SMPA511

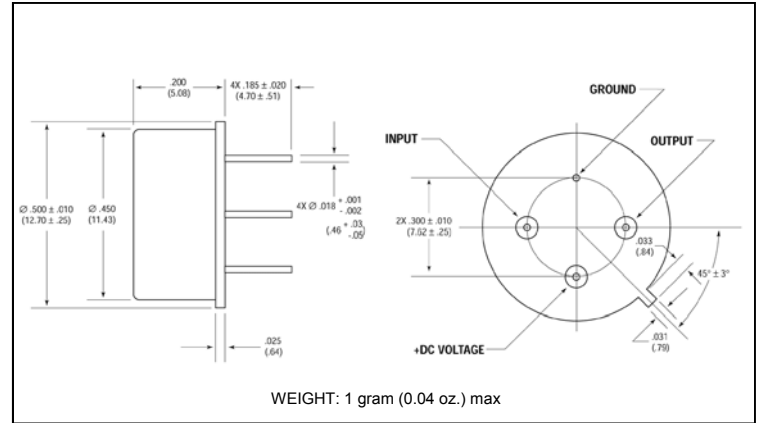
Cascadable Amplifier
10 to 500 MHz

Rev. V2

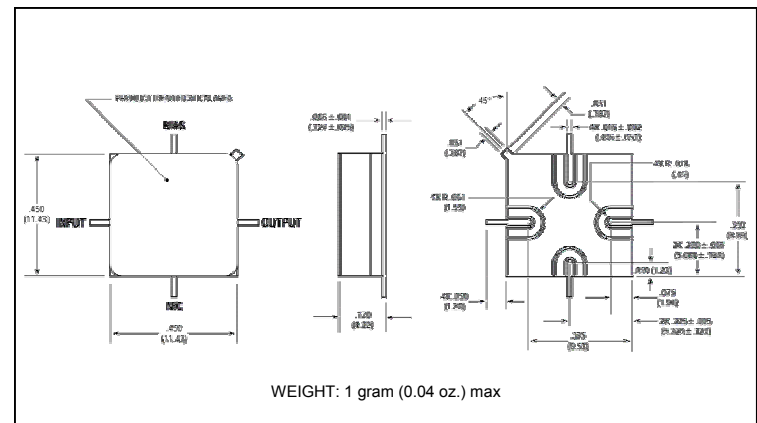
Typical Performance Curves at +25°C



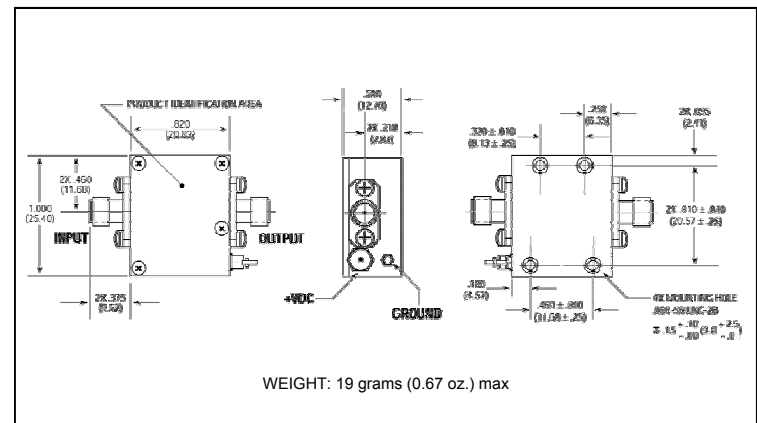
Outline Drawing: TO-8 *



Outline Drawing: Surface Mount *



Outline Drawing: SMA Connectorized *



* Dimensions are inches (millimeters) ± 0.015 (0.38) unless otherwise specified.

ADVANCED: Data Sheets contain information regarding a product M/A-COM Technology Solutions is considering for development. Performance is based on target specifications, simulated results, and/or prototype measurements. Commitment to develop is not guaranteed.
PRELIMINARY: Data Sheets contain information regarding a product M/A-COM Technology Solutions has under development. Performance is based on engineering tests. Specifications are typical. Mechanical outline has been fixed. Engineering samples and/or test data may be available. Commitment to produce in volume is not guaranteed.

• **North America** Tel: 800.366.2266 • **Europe** Tel: +353.21.244.6400
 • **India** Tel: +91.80.4155721 • **China** Tel: +86.21.2407.1588
 Visit www.macomtech.com for additional data sheets and product information.

M/A-COM Technology Solutions Inc. and its affiliates reserve the right to make changes to the product(s) or information contained herein without notice.