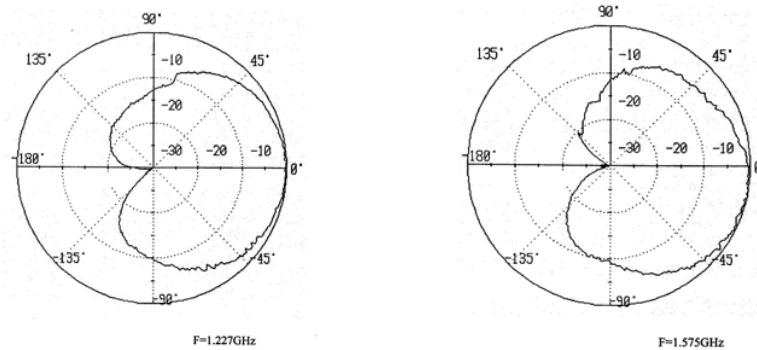


GPS L1/L2 Survey Antenna

P/N: JXTXGPS-L1L2



Pattern



Technical Specifications

Frequency	L1	1575.42MHz±10MHz	
	L2	1227.60MHz±10MHz	
Out Of Band Rejection		L1	L2
	$F_C \pm 50$ MHz	25dB	30dB
	$F_C \pm 140$ MHz	50dB	50dB
Antenna Elevation Pattern		L1 (Min.)	L2 (Min.)
	$\theta=0^\circ$	7dBic	6dBic
	$0^\circ < \theta \leq 70^\circ$	-0.5dBic	-1.5dBic
	$70^\circ < \theta \leq 85^\circ$	-4dBic	-5dBic
	$85^\circ < \theta \leq 90^\circ$	-4.5dBic	-5.5dBic
LNA Gain	L1	28±2dB/50 ± 2dB (customized gain available)	
	L2	27±2dB/48 ± 2dB (customized gain available)	
Polarization	Right-hand circular		
L1 – L2 Differential Propagation Delay	≤ 10 ns		
Axial Ratio	≤3dB		
Noise Figure	≤1.5dB		
Phase Center Error	±2mm		
Output Impedance	50Ω		
VSWR	≤2.0:1		
Power Supply	Voltage: 3-5V DC		
	Current: 40mA (Typical)		
Connector Type	TNC (customized connector type available)		
Size	Φ178mm×67mm		
Weight	≈450g		
Operation Temperature	-40°C ~ +85°C		
Storage Temperature	-55°C ~ +85°C		
Fixing	5/8 Inch Screw		

Custom Designs Available. For current data sheets, please contact: sales@aacix.com