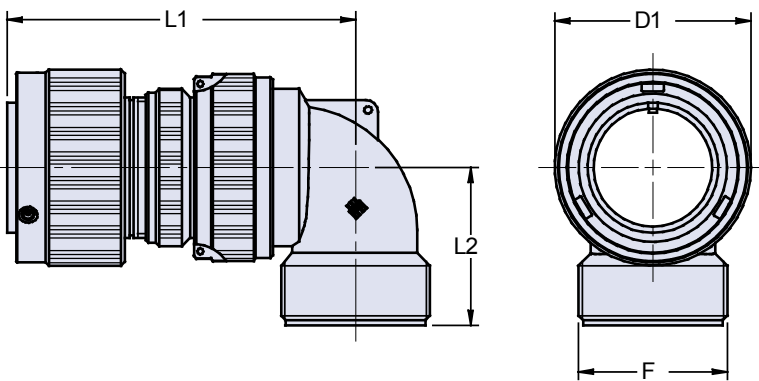




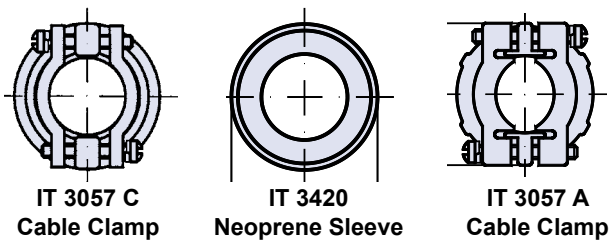
ITH 08 A and ITH 08 R 90° Plug Connector with Accessory Backshell and a Selection of Cable Clamps

ITH G 08 A 28-21 P Y XXX

- | | |
|--|---|
| <p>ITH = Plastic Insert and Standard Contacts (See Notes #4, 6)</p> <p>Grounding Fingers (Omit for Standard)</p> <p>08 = 90° Angle Plug</p> <p>Environmental Class
A = Non-Environmental
R = Environmental</p> | <p>Mod Code Option (See Table II)</p> <p>Alternate Insert Rotation (W, X, Y, Z)
Omit for Normal (See Page 6)</p> <p>Contact Gender
P - Pin
S - Socket</p> <p>Shell Size and Insert Arrangement (See Page 7)</p> |
|--|---|

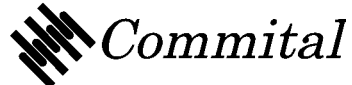


Order Cable Clamps and Sleeves Separately or Use Mod Codes (Table II) to Add Clamp to This Assembly.



Application Notes:

1. 90° plug connector with backshell for cable clamps or BR backshells.
2. Environmental class A (non-environmental) not supplied with grommet; Class R (environmental) supplied with grommet.
3. Standard shell materials configuration consists of aluminum alloy with cadmium free conductive plating and black passivation.
4. Standard contact material consists of copper alloy with gold plating.
5. A broad range of other front and rear connector accessories are available. See our website and/or contact the factory for complete information.
6. Standard insert material is Low fire hazard plastic UL94V0, IAW Article 3, NFF16-102, 356833.



**ITH 08 A and ITH 08 R
90° Plug Connector with Accessory Backshell
and a Selection of Cable Clamps**



TABLE I: DIMENSIONS

Shell size	D1 ±0.2	F thread	L1 Max.	L2 ±0.2
18	36.2	1.0000 - 20UNEF	70.0	30.0
20	39.8	1.1875 - 18UNEF	75.0	32.0
22	43.0	1.1875 - 18UNEF	75.0	32.0
24	46.4	1.4375 - 18UNEF	80.0	37.0
28	53.0	1.4375 - 18UNEF	80.0	38.0
32	60.0	1.7500 - 18UNS	85.0	45.5
36	66.2	2.0000 - 18UNS	90.0	47.2
40	72.3	2.2500 - 16UN	95.0	52.0

TABLE II: MODIFICATION CODES

CONTACT OPTIONS		ACCESSORY OPTIONS	
Sym	Description		
B0	Connector less contacts	N0	Connector less backshell
Omit for standard version (Gold Plated Copper Alloy Contacts Supplied)		N1	Connector with IT 3057 A cable clamp
		N5	Connector with IT 3057 C cable clamp
Omit for standard version (Cad free / black passivation Finish)		N12	Connector with IT 3057 A cable clamp and IT 3420 neoprene sleeve
		Omit for standard version	
Sym	Description		
F2	Bright Nickel Plating		
F6	Black Electrodeposited Paint		
F8	Olive Drab Zn-Co Plating		

