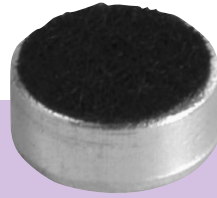


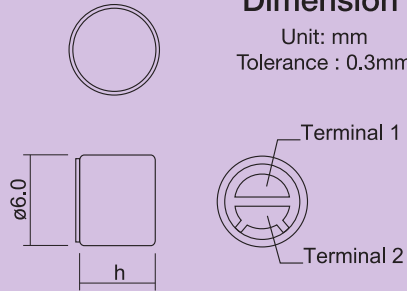
SoniCrest Microphones

HBC06A,B,C Series



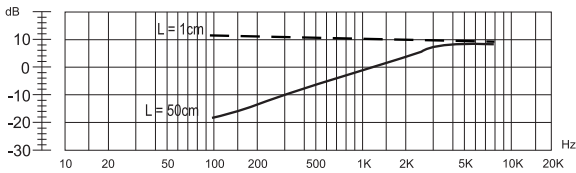
Dimension

Unit: mm
Tolerance : 0.3mm



Frequency Response

Applied Voltage $V_s = 3V$
Load Resistance $R_L = 2.2k\Omega$

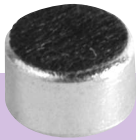


Specification (all data taken at 25°C unless otherwise specified)

Model	h (mm)	Directivity	★Sensitivity (dB)	Rated Voltage (V)	Maximum Operating Voltage(V)	Current Consumption (mA)	Frequency Range (Hz)	Impedance (Ω)	Sensitivity Reduction (dB)	S/N Ratio (dB)
HBC0603A-65	5.0	Noise	-45 ± 3	3	10	≤ 0.5	100 ~ 10000	Low	≤ -3 at 1.5V	≥ 58
HBC0603B-65	3.5	Canceling	-45 ± 3	3	10	≤ 0.5	100 ~ 10000	Low	≤ -3 at 1.5V	≥ 58
HBC0603C-65	2.7		-45 ± 3	3	10	≤ 0.5	100 ~ 10000	Low	≤ -3 at 1.5V	≥ 58

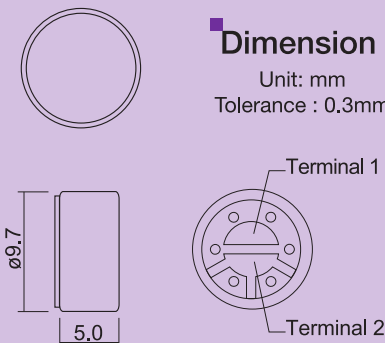
★ Condition : 0dB = 1V/pa, 1KHz, Different sensitivity level is available upon request.

HBC10A Series



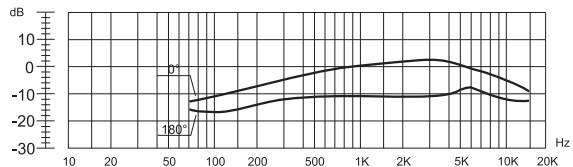
Dimension

Unit: mm
Tolerance : 0.3mm



Frequency Response

Applied Voltage $V_s = 1.5V$
Load Resistance $R_L = 680\Omega$



Specification (all data taken at 25°C unless otherwise specified)

Directivity	★Sensitivity (dB)	Rated Voltage (V)	Maximum Operating Voltage(V)	Current Consumption (mA)	Frequency Range (Hz)	Impedance (Ω)	Sensitivity Reduction (dB)	S/N Ratio (dB)
Noise Canceling	-45 ± 3	1.5	10	≤ 0.5	100 ~ 10000	Low	≤ -3 at 1.5V	≥ 60

★ Condition : 0dB = 1V/pa, 1KHz, Different sensitivity level is available upon request.

Model : HBC1001A-65