

## SMD INDUCTOR DR353-4 SERIES

### Features

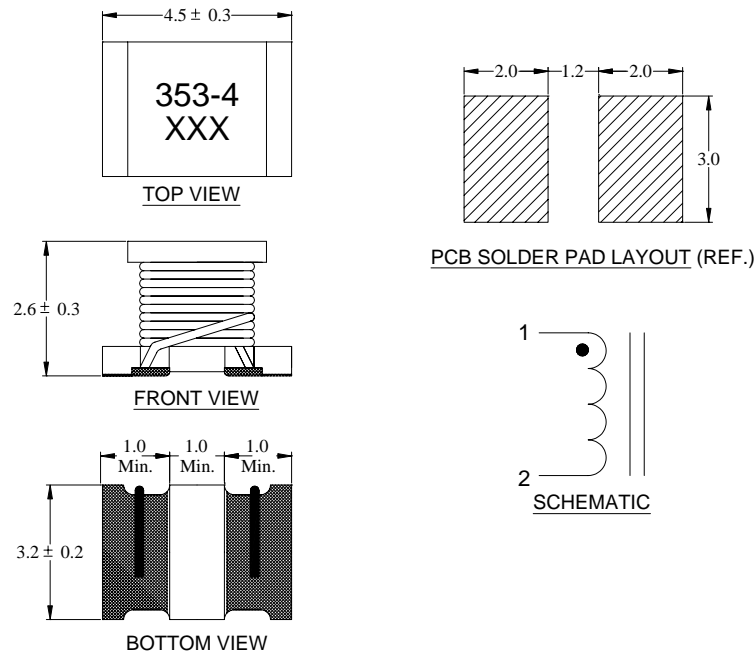
- Low Profile Surface Mount Design
- Flat Top for Pick and Place
- Inductance Range from 1.0 $\mu$ H to 33.0 $\mu$ H
- Operating Temp. -25°C to + 85°C
- Tinned Leads with Leaded Solder is Available (note 6)



### ELECTRICAL SPECIFICATIONS AT 25°C

| Part No.    | Inductance ( $\mu$ H) |       | DCR ( $\Omega$ ) Max. | I <sub>rated</sub> (mA) Max. | SRF (MHz) Min. |
|-------------|-----------------------|-------|-----------------------|------------------------------|----------------|
| DR353-4-102 | 1.0 $\pm$ 20%         | @1MHz | 0.08                  | 1080                         | 100            |
| DR353-4-152 | 1.5 $\pm$ 20%         | @1MHz | 0.09                  | 1000                         | 85             |
| DR353-4-222 | 2.2 $\pm$ 20%         | @1MHz | 0.11                  | 900                          | 60             |
| DR353-4-332 | 3.3 $\pm$ 20%         | @1MHz | 0.13                  | 800                          | 47             |
| DR353-4-472 | 4.7 $\pm$ 20%         | @1MHz | 0.15                  | 750                          | 35             |
| DR353-4-682 | 6.8 $\pm$ 20%         | @1MHz | 0.20                  | 720                          | 30             |
| DR353-4-103 | 10 $\pm$ 10%          | @1MHz | 0.24                  | 650                          | 23             |
| DR353-4-153 | 15 $\pm$ 10%          | @1MHz | 0.32                  | 570                          | 20             |
| DR353-4-223 | 22 $\pm$ 10%          | @1MHz | 0.60                  | 420                          | 15             |
| DR353-4-333 | 33 $\pm$ 10%          | @1MHz | 1.00                  | 310                          | 12             |

### MECHANICAL OUTLINES



#### Notes:

1. All dimensions are shown in millimeter "mm"
2. General tolerance  $\pm$ 0.2mm, unless other specified
3. I<sub>rated</sub> for an approximate 40°C temperature rise
4. I<sub>rated</sub> for an approximate 20% drop maximum of the initial value
5. Tape and reel quantity, 500 pcs/reel
6. For non-RoHS parts replace DR prefix with 42- (e.g. DR353-4 becomes 42-353-4)
7. Terminal finish is compliant to RoHS requirements. Solder in accordance with J-STD-020C