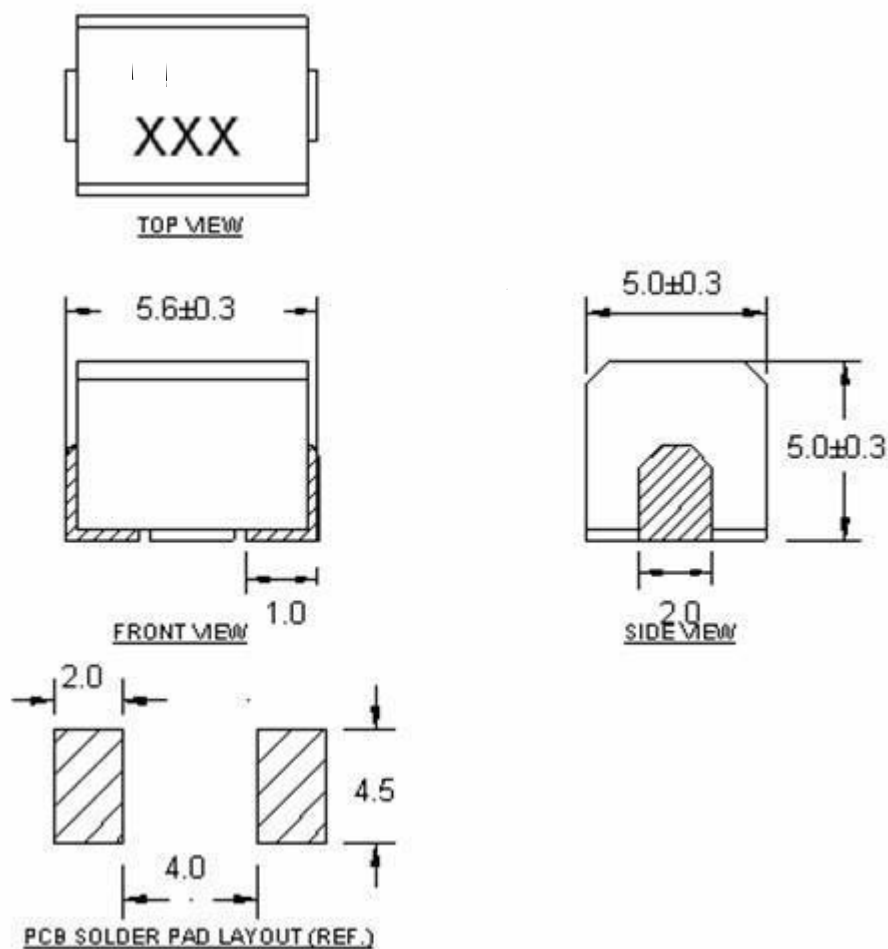


**SMD INDUCTOR DR349-4 SERIES****Features**

- SMD Inductor
- Suitable for Reflow soldering
- Inductance Range from 1 $\mu$ H to 10mH
- Operating Temp. -40°C to +85°C
- Tinned Leads with Leaded Solder is Available (note 4)

**ELECTRICAL SPECIFICATIONS AT 25°C**

PART NO.	INDUCTANCE ( $\mu$ H)		DCR ( $\Omega$ ) MAX.	MAX. RATED CURRENT (mA)
DR349-4-102	1.0 $\pm$ 10%	@7.96MHz	0.030	1800
DR349-4-122	1.2 $\pm$ 10%	@7.96MHz	0.035	1700
DR349-4-152	1.5 $\pm$ 10%	@7.96MHz	0.04	1600
DR349-4-182	1.8 $\pm$ 10%	@7.96MHz	0.05	1400
DR349-4-222	2.2 $\pm$ 10%	@7.96MHz	0.06	1300
DR349-4-272	2.7 $\pm$ 10%	@7.96MHz	0.07	1200
DR349-4-332	3.3 $\pm$ 10%	@7.96MHz	0.08	1120
DR349-4-392	3.9 $\pm$ 10%	@7.96MHz	0.09	1050
DR349-4-472	4.7 $\pm$ 10%	@7.96MHz	0.11	950
DR349-4-562	5.6 $\pm$ 10%	@7.96MHz	0.13	880
DR349-4-682	6.8 $\pm$ 10%	@7.96MHz	0.15	810
DR349-4-822	8.2 $\pm$ 10%	@7.96MHz	0.18	750
DR349-4-103	10 $\pm$ 10%	@2.52MHz	0.21	690
DR349-4-123	12 $\pm$ 10%	@2.52MHz	0.25	630
DR349-4-153	15 $\pm$ 10%	@2.52MHz	0.30	580
DR349-4-183	18 $\pm$ 10%	@2.52MHz	0.36	530
DR349-4-223	22 $\pm$ 10%	@2.52MHz	0.43	480
DR349-4-273	27 $\pm$ 10%	@2.52MHz	0.52	440
DR349-4-333	33 $\pm$ 10%	@2.52MHz	0.62	400
DR349-4-393	39 $\pm$ 10%	@2.52MHz	0.72	370
DR349-4-473	47 $\pm$ 10%	@2.52MHz	0.85	340
DR349-4-563	56 $\pm$ 10%	@2.52MHz	1.0	310
DR349-4-683	68 $\pm$ 10%	@2.52MHz	1.2	290
DR349-4-823	82 $\pm$ 10%	@2.52MHz	1.4	270
DR349-4-104	100 $\pm$ 10%	@0.796MHz	1.6	250
DR349-4-124	120 $\pm$ 10%	@0.796MHz	1.9	230
DR349-4-154	150 $\pm$ 10%	@0.796MHz	2.2	210
DR349-4-184	180 $\pm$ 10%	@0.796MHz	2.8	190
DR349-4-224	220 $\pm$ 10%	@0.796MHz	3.4	170
DR349-4-274	270 $\pm$ 10%	@0.796MHz	4.2	155
DR349-4-334	330 $\pm$ 10%	@0.796MHz	4.9	140
DR349-4-394	390 $\pm$ 10%	@0.796MHz	5.8	130
DR349-4-474	470 $\pm$ 10%	@0.796MHz	7.0	120
DR349-4-564	560 $\pm$ 10%	@0.796MHz	8.5	110
DR349-4-684	680 $\pm$ 10%	@0.796MHz	10	100
DR349-4-824	820 $\pm$ 10%	@0.796MHz	13	90
DR349-4-105	1000 $\pm$ 10%	@0.252MHz	15	85
DR349-4-125	1200 $\pm$ 5%	@0.252MHz	17	75
DR349-4-155	1500 $\pm$ 5%	@0.252MHz	20	70
DR349-4-185	1800 $\pm$ 5%	@0.252MHz	30	60
DR349-4-225	2200 $\pm$ 5%	@0.252MHz	35	55
DR349-4-275	2700 $\pm$ 5%	@0.252MHz	55	45
DR349-4-335	3300 $\pm$ 5%	@0.252MHz	60	40
DR349-4-395	3900 $\pm$ 5%	@0.252MHz	70	38
DR349-4-475	4700 $\pm$ 5%	@0.252MHz	78	36
DR349-4-565	5600 $\pm$ 5%	@0.252MHz	85	33
DR349-4-685	6800 $\pm$ 5%	@0.252MHz	110	30
DR349-4-825	8200 $\pm$ 5%	@0.252MHz	125	28
DR349-4-106	10000 $\pm$ 5%	@0.0796MHz	150	25

**MECHANICAL OUTLINES****NOTES:**

1. All dimensions are shown in millimeters "mm".
2. General tolerance  $\pm 0.1$ mm unless otherwise specified.
3. Tape and reel quantity, 1000 pcs/reel
4. For non-RoHS parts replace DR prefix with 42- (e.g. DR349-4 becomes 42-349-4).
5. Terminal finish is compliant to RoHS requirements. Solder in accordance with J-STD-020C.