

# Series CN015 - Type 23

## Push-in / Push-out, Low Profile

# Card Connectors

### Specifications

Insulation Resistance: 1,000MΩ min. at 500V DC  
 Withstanding Voltage: 500V AC rms for 1 minute  
 Contact Resistance: 40mΩ max. (initial resistance)  
 Voltage Rating: 250V AC  
 Current Rating: 0.5A  
 Operating Temp. Range: -20°C to +60°C

### Materials and Finish

Contact: PB / Ni-Au  
 Insulator Base: PA (glass filled)  
 Cover: Stainless Steel

### Features

- Low profile (2.75mm)
- Smooth insertion/extraction function by Push-in / Push-out of SM Card
- Stand-off type available, to mount components under the body of CN015
- Acceptable for automation mounting machine
- SMT type (suitable for reflow process)

### Part Number (Details)

**CN015 RZ - 23 1 3 - \***

Series No.

RZ = 3.3V for SmartMedia Card (3.3V)

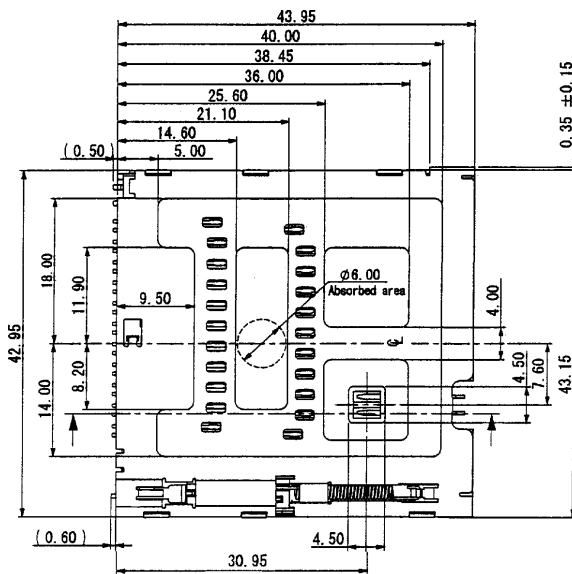
Type 23

Part Number Identification: R-Type

PCB Mounting: SMT Fixing Height of Stand-off:  
 0 = 0.0mm  
 1 = 2.0mm

SmartMedia - SSFDC

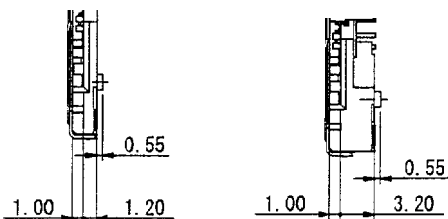
### Type 23 with SMT Metal Pads (3.3V)



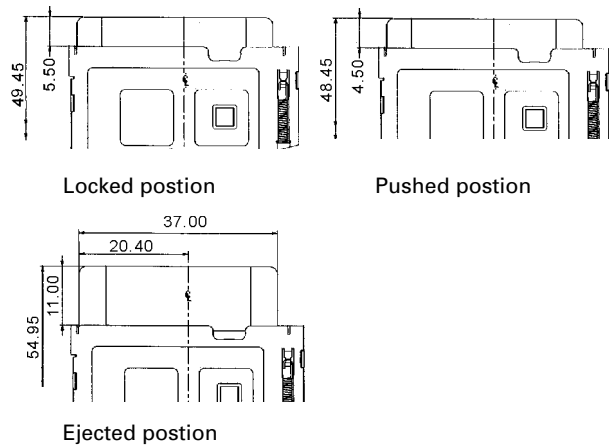
### Pin Height Details

CN015RZ-2313-0

CN015RZ-2313-1



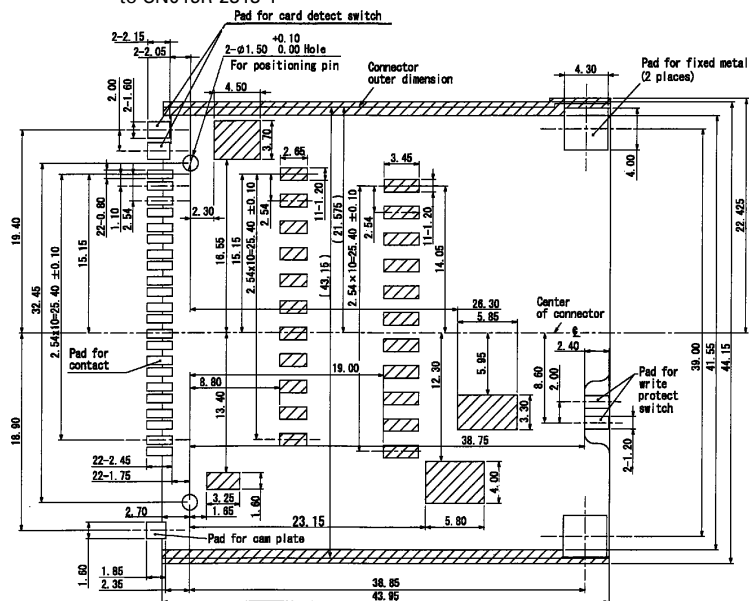
### Card Insertion Details



### Recommended PCB Layout

Top View

Note: Wiring pattern (hatched area) prohibited area this does not apply to CN015R-2313-1



Note: The Switch should be open when card is not inserted, and should be closed when card is inserted

### Function Table

Part Number	Voltage of SmartMedia	Ejector	Mis-insertion Protection	Sequential Contact	Write Protection Switch
CN015RZ-2313-0	3.3V	Push-in/Push-Out	Yes	Yes	Yes
CN015RZ-2313-1					