

**P/N: AD-2658S DATA SHEET****Feature**

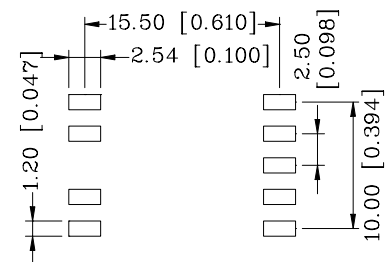
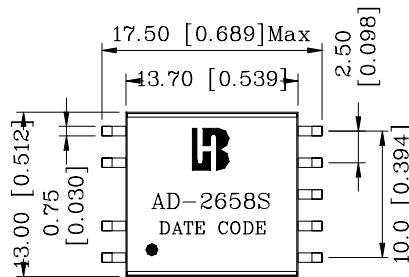
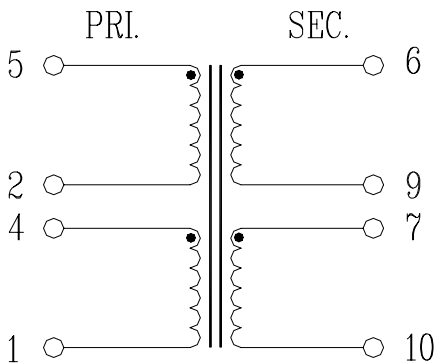
- Excellent Longitudinal Balance performance.
- Operating temperature range: 0 to +60 .
- Storage temperature range: -25 to +75 .

Electrical Specifications @ 25°C

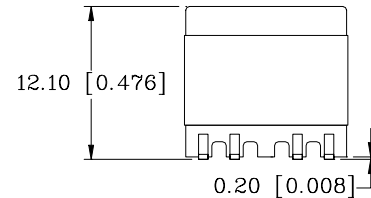
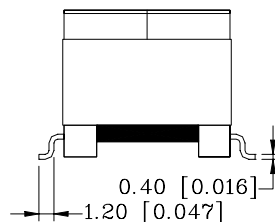
Part Number	Mounting	Turn Ratio (±2%)	OCL (uH±10%) @ 10KHz/0.1V	Longitudinal Balance (dB Min) (100KHz-1MHz)
		(6-10):(5-1)	(6-10),(9+7)short	
AD-2658S	SMT	3.3:1	800	-45

Additional Specifications

Part Number	Leakage Inductance (uH Max)@ 100KHz/0.1V	DC Resistance (Max)		Isolation Voltage (Vrms)
	(6-10),(7+9,1+4+2+5)short	(6-9)	(5-2)	
AD-2658S	15	0.65	0.24	1875

Schematic**Mechanical**

Suggested PAD Layout



Units: mm [Inches] Tolerances: xx.x0±0.25 [0.010]
 0.xx±0.05 [0.002]