

527-184
Composite Backshell Assembly,
Quick Disconnect
for Hypertronics LPMY 22 Connectors



Hypertronics

527 184 XO
 Product Series ————
 Basic Number ————
 Finish (Table I)

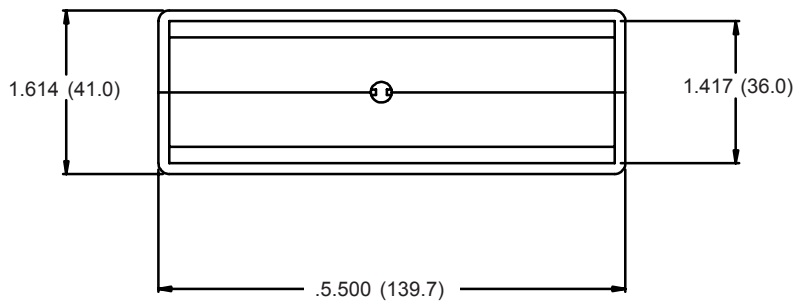
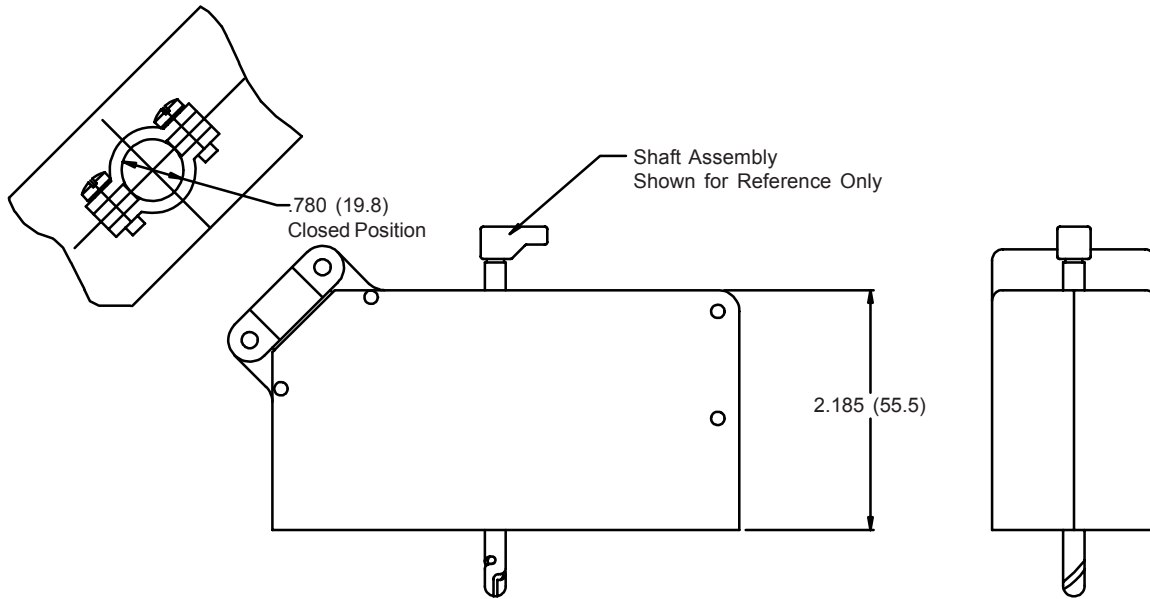


TABLE I: FINISH OPTIONS

XM*	Electroless Nickel
XW*	Cadmium Olive Drab Over Electroless Nickel
XB	No Plating - Black Material
XO	No Plating - Base Material Non-conductive

* Note: Coupling nut
supplied unplated.

Metric dimensions (mm) are indicated in parentheses.