

10 BASE-T SMD ETHERNET TRANSFORMER

P/N: 16ST7011 DATA SHEET

Feature

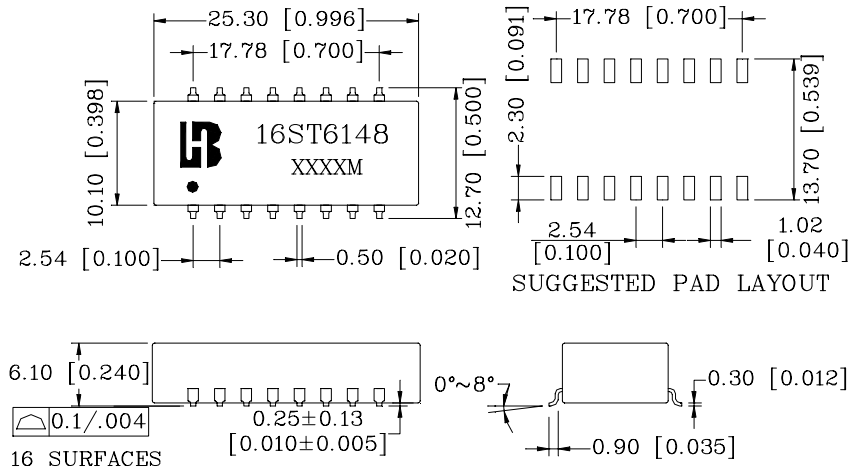
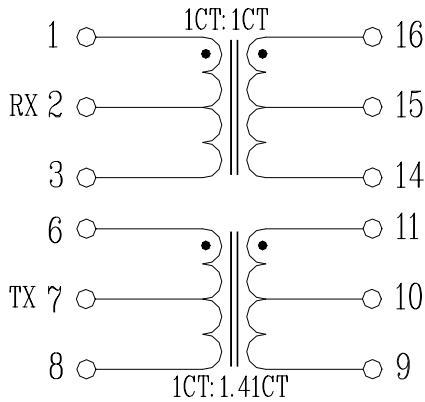


- 16PIN SMD package to compliant with IEEE802.3 standard.
- Model is available to interface with 10BASE-T transceivers.
- Compatible with IR oven processes.
- Operating temperature range:0°C to +70°C.
- Storage temperature range:-25°C to +125°C.

Electrical Specifications @ 25°C							
Part Number	Turns Ratio (±5%)		OCL (uH Min)	C _{ww} (pF Max)	L.L (uH Max)	DCR (Ω Max)	Isolation Voltage (Vrms)
	RX	TX	Pin(1-3&9-11)				
16ST7011	1CT:1CT	1CT:1.41CT	140	20	0.6	0.9	1500

Schematic

Mechanical



Units: mm[Inches] Tolerances: xx.x0±0.25[0.010]
 0.xx±0.05[0.002]