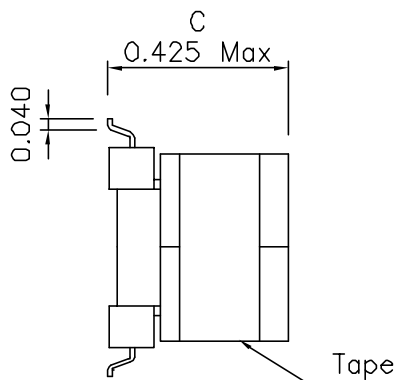
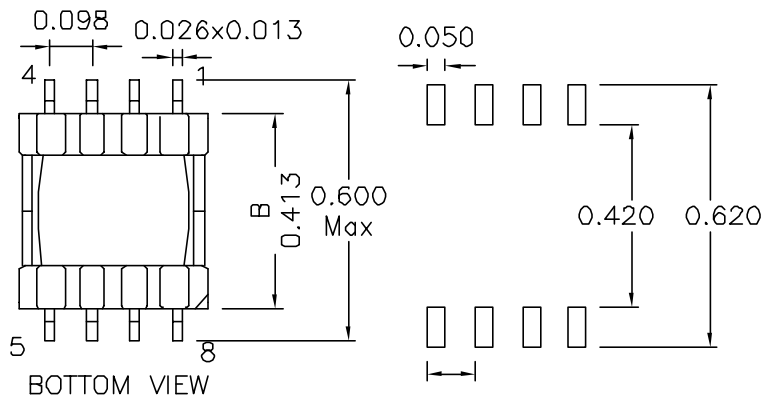
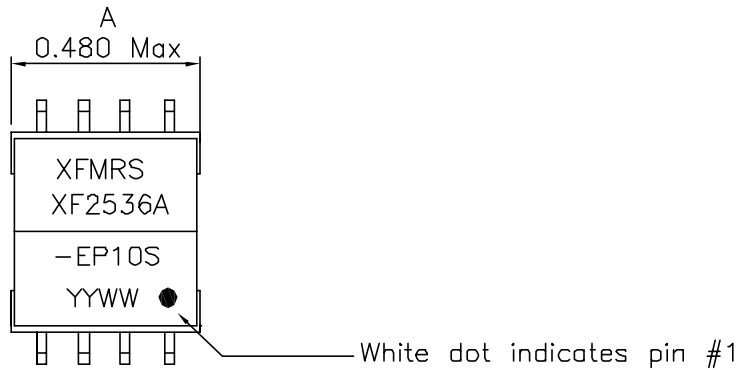


## 1. Mechanical Dimensions:

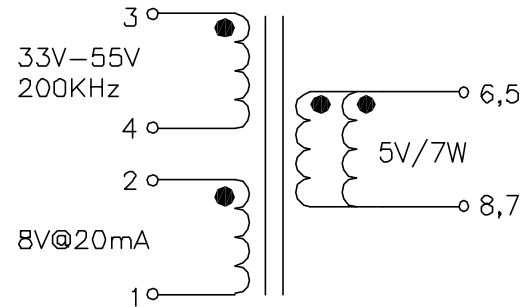


### Notes:

1. Solderability: Leads shall meet MIL-STD-202, Method 208D for solderability.
2. Flammability: UL94V-0
3. ASTM oxygen index: > 28%
4. Insulation System: Class F 155°C. UL file E151556
5. Operating Temperature Range: All listed parameters are to be within tolerance from -40°C to +85°C
6. Storage Temperature Range: -55°C to +125°C
7. Aqueous wash compatible
8. SMD Lead Coplanarity:  $\pm 0.004"$  (0.102mm)
9. Moisture Sensitivity: Level 3
10. Electrical and mechanical specifications 100% tested
11. RoHS Compliant Component

DOC REV: A/1

## 2. Schematic:



## 2. Electrical Specifications: @25°C

- OCL: Pins 3-4 253uH $\pm$ 10% @10KHz 0.1V  
 Leakage L: Pins 3-4 7.5uH Max @100KHz, 0.1V Short P5-8  
 DC Res.: Pins 1-4 0.420 Ohms Max  
 DC Res.: Pins 6,5-8,7 0.016 Ohms Max  
 Turns Ratio: P3-4:2-1:6,5-8,7 = 1:0.208:0.125  
 Isolation Voltage: 1500Vrms Pri to Sec  
 Q: Pins 3-4 tbd Min @10KHz, 0.1V

**PROPRIETARY** Document is the property of XFMR5 Group & is not allowed to be duplicated without authorization.

XFMR5 Inc www.XFMR5.com		Title: POE TRANSFORMER	
UNLESS OTHERWISE SPECIFIED		P/N: XF2536A-EP10S	REV. A
TOLERANCES: .xxx $\pm$ 0.010		DWN. 李小锋	Feb-18-05
Dimensions in INCH		CHK. 廖玉坤	Feb-18-05
SCALE 2.5:1 SHT 1 OF 1		APP. BW	Feb-18-05