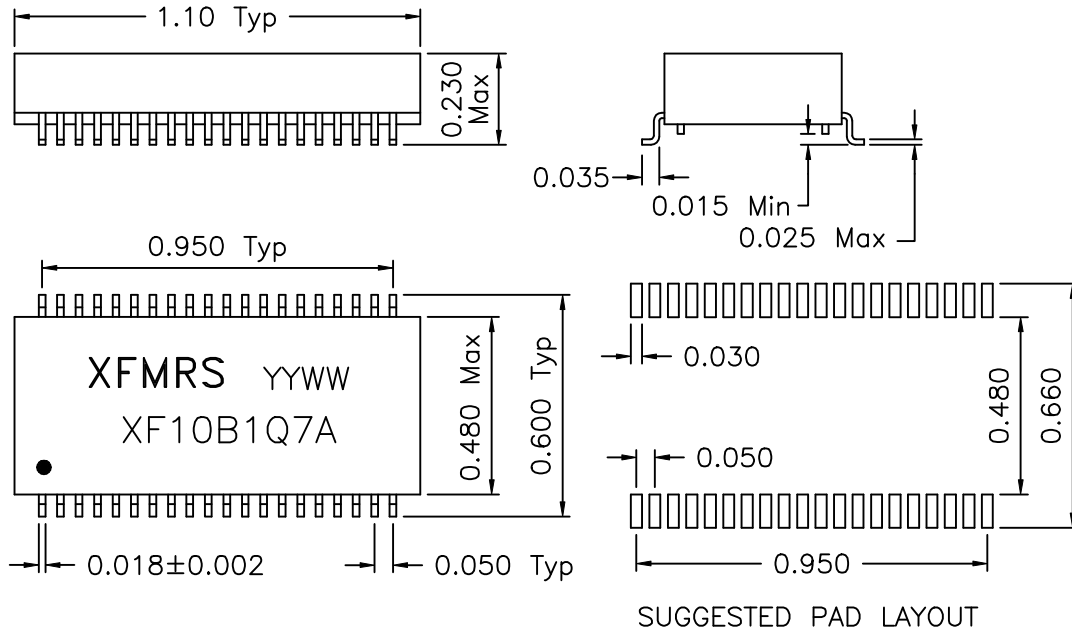
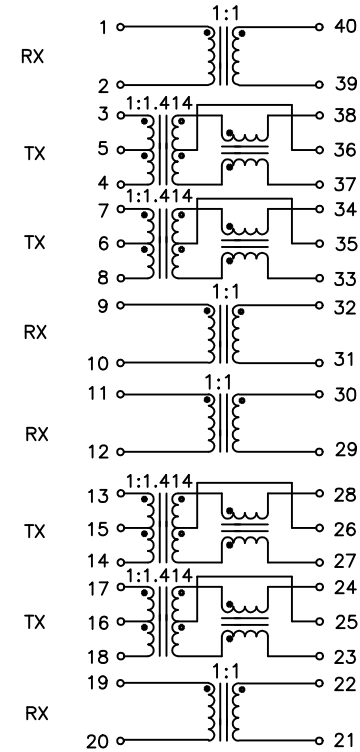


1. Dimensions:



2. Schematic:



Notes:

1. Solderability: Leads shall meet MIL-STD-202, Method 208D for solderability.
2. Flammability: UL94V-0
3. ASTM oxygen index: > 28%
4. Temperature rating: 155°C. UL file E151556
5. Operating Temperature Range: -40°C to +85°C

3. Electrical Specifications: @25°C

Pri/Sec Isolation: 1500 Vrms
 Insulation Resistance: 10,000 Mohms
 Turns Ratio: 1CT:1.414CT (TX)
 Turns Ratio: 1 : 1 (RCV)
 PRI OCL: 150uH Minimum (TX&RCV) @100KHz 50mV
 Cw/w: 10pF Maximum (PRI/SEC) @100KHz 50mV
 Leakage Inductance: 0.30uH Max @TX (SEC Shorted)
 Leakage Inductance: 0.30uH Max @RCV (SEC Shorted)
 @100KHz 50mV
 PRI DC Resistance: 0.40 Ohms Max (TX & RCV)

DOC REV.: A/1

THIS DOCUMENT IS STRICTLY NOT ALLOWED TO BE DUPLICATED WITHOUT AUTHORIZATION

XFMRS Inc	Title: Quad Port 10BASE-T Module		
	UNLESS OTHERWISE SPECIFIED	P/N: XF10B1Q7A	REV. A
TOLERANCES: .xxx ±0.010	DWN.	李清儿	Apr-07-99
Dimensions in INCH	CHK.	孙小悦	Apr-07-99
SCALE 2:1 SHT 1 OF 1	APP.	BW	Aug-07-99