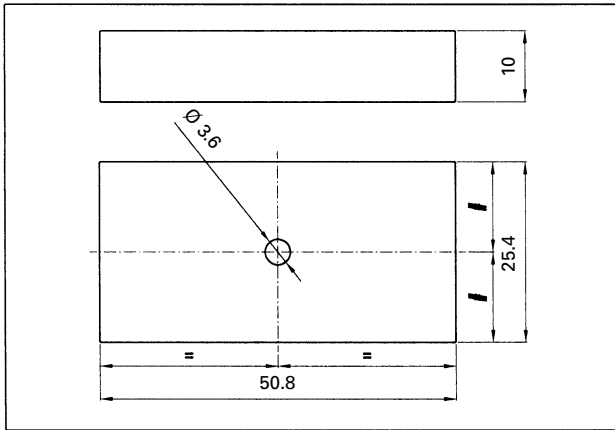
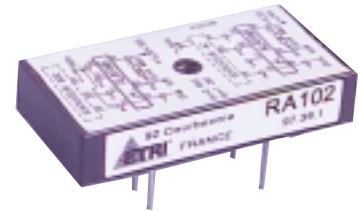


RA100 - RA101 - RA102 - RA103

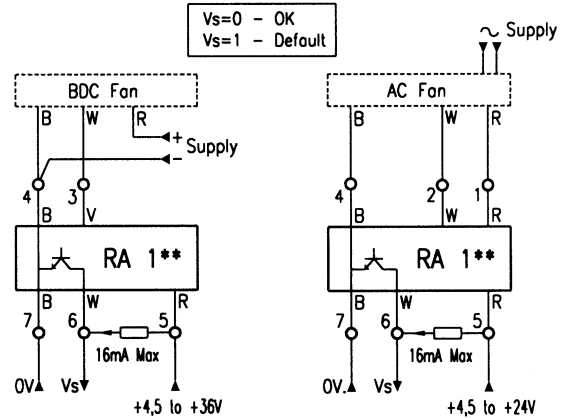
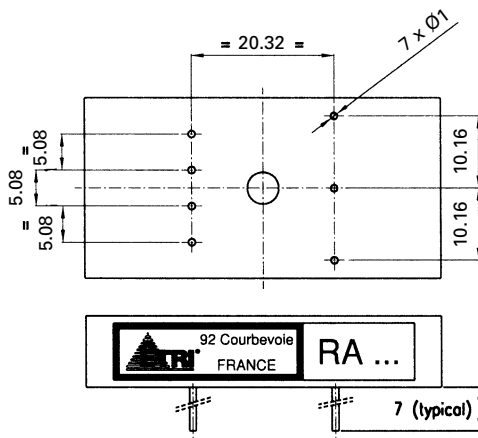
Desenganging frequency: RA100 - 15 Hz
 Desenganging frequency: RA101 - 54 Hz
 Desenganging frequency: RA102 - 15 Hz
 Desenganging frequency: RA103 - 54 Hz

Supply: 24 V DC
 Current: 4 mA max.
 Operating temperature: 0°C to +70°C

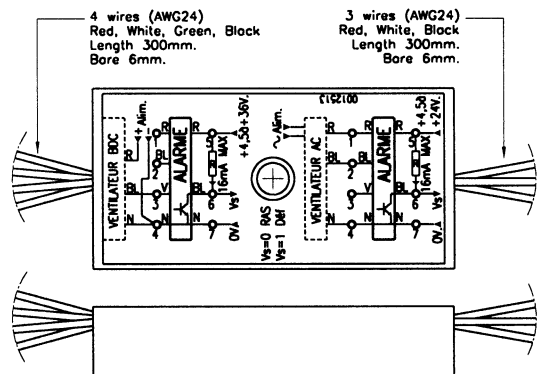
Wires output: RA100 - RA101
 Terminals output: RA102 - RA103



TERMINALS OUTPUT



WIRES OUTPUT



RA104 - RA105

Desenganging frequency: RA104 - 25 Hz

Desenganging frequency: RA105 - 15 Hz

Supply: 24 V DC (19 V to 26 V)

Current: 4 mA for "Running" - 15 mA for "Default"

Operating temperature: 0°C to + 70°C

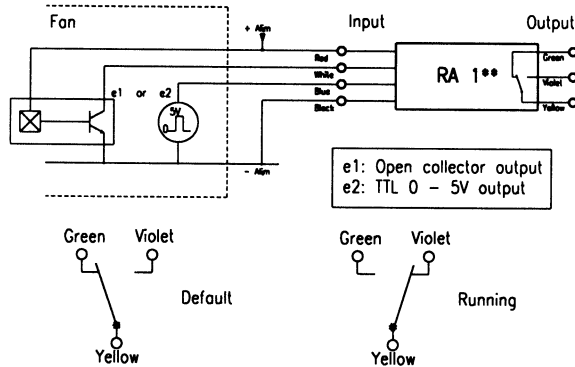
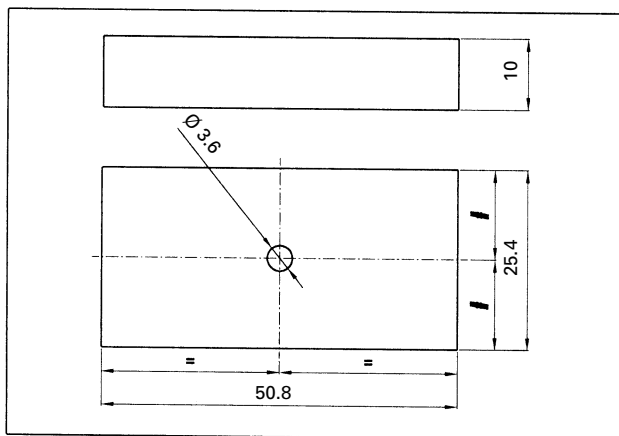
Contact:

Switch off power: 3 W

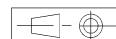
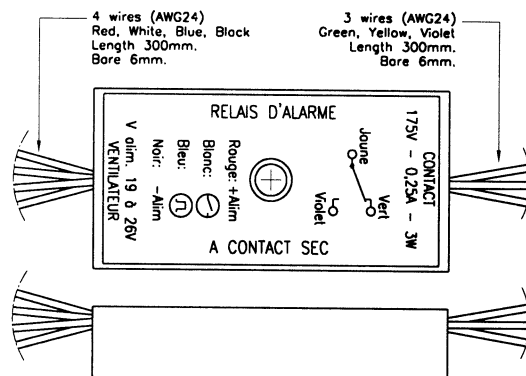
Max. voltage: 100 V

Max. current: 0,25 A

Contact resistance: 150 mΩ



WIRES OUTPUT



RA107

Desenganging frequency: 15 Hz

Supply: 220 V - 50/60 Hz

Operating temperature: 0°C to + 70°C

Contact:

Switch off power: 3 W

Max. voltage: 100 V

Max. current: 0,25 A

Contact resistance: 150 mΩ

A: 3 wires (AWG24)
Red, White, Black
Length 300 mm - Bore 6 mm

B: 3 wires (AWG24)
Green, Yellow, Violet
Length 300 mm - Bore 6 mm

A: 2 wires (AWG24)
Brown
Length 300 mm - Bore 6 mm

